

Dissolution
Fully Automated

ATF

The ATF Xtend™ with RS Robotic Station performs a series of 100% unattended dissolution tests without any operator-action required – from media preparation, sampling & filtration, to automatic basket handling, sinker removal, and self-cleaning in between runs.



Fully Automated Dissolution Testing System

True Automation. 100% Unattended.

How much time does your laboratory team spend on tasks such as filling vessels and cleaning? With the ATF Xtend™ dissolution tester, all steps from media preparation, sampling & filtration, to handling of baskets and sinkers are performed automatically. At the end of a test, the system cleans itself with customizable washing routines and starts the next dissolution run.



www.sotax.com/ATF

Exchangeable grippers for automated basket and sinker handling

Basket storage for up to 32 batches

Quick-change tablet magazine for multiple test runs

Temperature monitoring of all vessels

In-vessel volume monitoring

Integrated media preparation with vacuum degassing

Integrated sample analysis with UV-Vis

Multiple unattended dissolution runs

Integrated media preparation & degassing

Self-cleaning

Automated basket and sinker handling

Data Integrity

Sample collection in tubes, vials, or wellplates

Automatic syringe filter exchange

Fast and powerful piston pumps for highly efficient sampling

Manual operation with EasyTouch™ control or data management with q-doc®



RS Robotic Station

ATF Xtend™ UV On-/Offline



Fill, Rinse. Repeat.

Medium preparation the efficient way – let your system do it for you. The integrated multi-purpose station allows for preparation and degassing of media using different recipes and sources. Automatically prepare media to fill vessels, to replace withdrawn sample volumes, and to perform pH changes.

Prepare.

Expand your efficiency by preparing media from concentrates. Solutions are made using your house DI source and a concentrate of choice. Repeatable preparations are automated prior to each dissolution run.



Degas.

No more helium sparge! Pull a vacuum on your media at temperature for complete and cost-efficient deaeration. Use effectively on all media types including foaming media with surfactants.



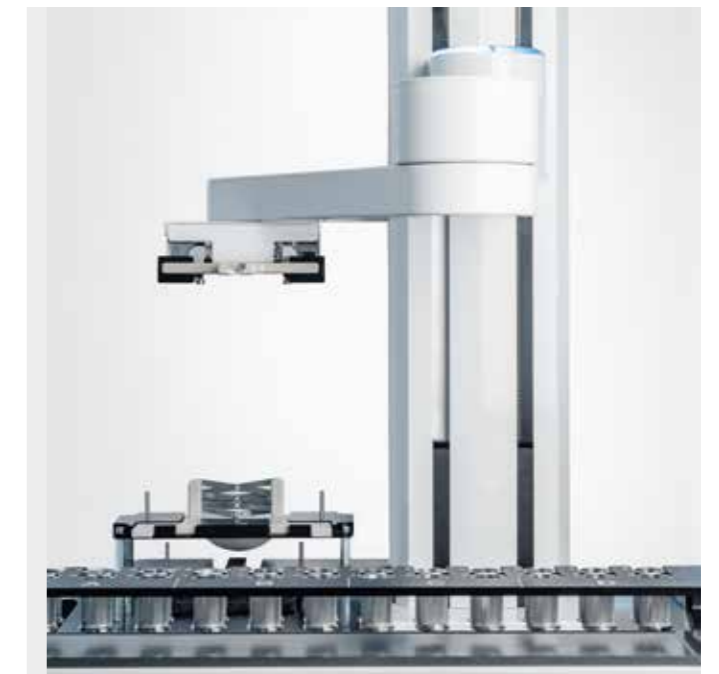
Clean.

Clean in place the same way every time – and let your system prepare itself for the next run. Have a sticky product? Customized self-cleaning procedures can be saved per product allowing for enhanced routines.



Seamless Integration.

The modular RS robotic station can easily be added to your fully automated ATF Xtend™ dissolution system. Perform a complete USP 1 method automatically from placement basket handling to a streamlined post-test cleaning routine. Or use the RS to retrieve sinkers from the vessels after a USP 2 paddle method.



Basket Exchange.

On completion of a test all used baskets are removed and replaced by new baskets. The RS provides safe storage of prepared baskets for up to 32 unattended dissolution tests.



Sinker Retrieval.

The RS robotic station automatically removes small and large sinkers from vessels upon test completion. Used sinkers are collected in a separate container for cleaning.



Flexibility Maximized.

Workload increases or method changes call for maximum flexibility and scalable sample management. The ATF Xtend™ combines online UV-Vis measuring and offline sample collection in one compact fully automated dissolution tester. Samples that have been analyzed in the integrated UV-Vis spectrophotometer can be collected for backup or for comparing different analytical finishes.



Sample Collection.

The integrated SAM autosampler allows for safe and reproducible collection and storage of dissolution samples in glass tubes, capped vials, or HPLC / UPLC wellplates from up to 60 timepoints. Highly effective flow-through rack cooling ensures that collected samples are safely stored under controlled environmental conditions.

Real-time UV-Vis.

Gather analytical data in real-time and eliminate waiting times by integrating a double beam or diode array UV-Vis spectrophotometer into your sampling process. Withdrawn volumes are immediately returned to the vessels – no medium replacement required. Results including protocolled test conditions are readily available in one consolidated dissolution report at the end of each test run.



Compliance. Built-in.

The ATF Xtend™ dissolution tester complies with all harmonized Pharmacopeia requirements as stated in USP, Ph.Eur., and others. Proven AutoCompliance™ with repeatable sampling positions, fixed shaft height and vessel centering guarantees 100% compliance without requiring time-consuming adjustments by the operator. State-of-the-art data management with q-doc® software ensures data integrity and allows implementation of a fully 21 CFR part 11 compliant system.



AutoCompliance™.

SOTAX dissolution tester are proven to have the lowest wobble rates in the industry. Compliant by design, the ATF Xtend™ with fixed shaft height and self-centering vessels doesn't require any adjustments by the operator. The integrated bath readily accepts the standard-setting MQD™ tool to perform & document mechanical qualification routines according to current FDA guidelines.

Data Integrity.

Methods and recipes are easily managed in full compliance with 21 CFR part 11 requirements, and tests are automatically executed the same way every time. All steps from media preparation to vessel filling, sampling, filtration, and UV-Vis analysis are protocolled. Additionally, CenterView™ video monitoring can be installed to visually record the dissolution process in each vessel. Robust, automated washing routines ensure that there is no carry-over between tests and allow for validation of your cleaning process.



SOTAX Worldwide.

Europe

Switzerland (HQ Europe)

Aesch / Basel

P Tech Support +41 61 487 5460

P Office +41 61 487 5454

info@sotax.com

Czech Republic

Prague

P Tech Support +41 61 487 5460

P Office +420 246 039 260

sotaxcz@sotax.com

France

Saint-Louis

P Tech Support +41 61 487 5460

P Office +33 3 8970 0846

info@sotax.com

Germany

Lörrach

P Tech Support +41 61 487 5460

P Office +49 7621 16 5635

info@sotax.com

Great Britain

Foston / Derbyshire

P Tech Support +44 1332 981 571

P Office +44 1332 981 303

sotaxgb@sotax.com

Italy

Milan

P Tech Support +41 61 487 5460

P Office +39 02 8363 2641

sotaxitalia@sotax.com

Ireland

Longford

P Tech Support +353 43 334 7779

P Office +353 43 334 7779

sotaxie@sotax.com

Americas

USA (HQ Americas)

Westborough, MA

P Tech Support +1 508 544 4040

P Office +1 508 417 1112

sotaxusa@sotax.com

Canada

Westborough, MA

P Tech Support +1 508 544 4040

P Office +1 508 417 1112

sotaxcanada@sotax.com

Asia-Pacific

Thailand (HQ Asia-Pacific)

Bangkok

P Tech Support +91 99 202 11 211

P Office +66 20 02 71 15

sotaxasia@sotax.com

India

Mumbai

P Tech Support +91 99 202 11 211

P Office +91 22 4295 0191

sotaxindia@sotax.com