



Glass Oven B-585 Drying

Gentle drying with full sample visibility

With its unique design and simple operation, the Glass Oven B-585 Drying is a cost efficient way to dry small and medium sized samples gently under vacuum. Its temperature range up to 300 °C opens multiple possibilities.

Efficient

Gentle drying and efficient in energy consumption



Space savings

One unit for multiple drying processes at minimal footprint



Easy in use

Easy and intuitive handling and operation

B-585 Drying: Your most important benefits



Efficient

- High yield by gentle sample treatment
- Ideal for small sample sizes
- High energy efficiency due to its clever design



Space savings

- Space savings due to its unique and compact design
- Enormous space and energy savings compared to a vacuum drying oven



Easy in use

- Easy operation with multiple pre-settings
- Easy and intuitive handling
- Full control of your process due to optimal visibility of the substance during the process

Complete your portfolio



**Vacuum Pump
V-100**
Economical
vacuum source



**Interface
I-100**
Economical vacuum
regulation



**Rotavapor®
R-300**
Convenient and efficient
rotary evaporation



**Melting Point
M-560 / M-565**
Determination of
melting point

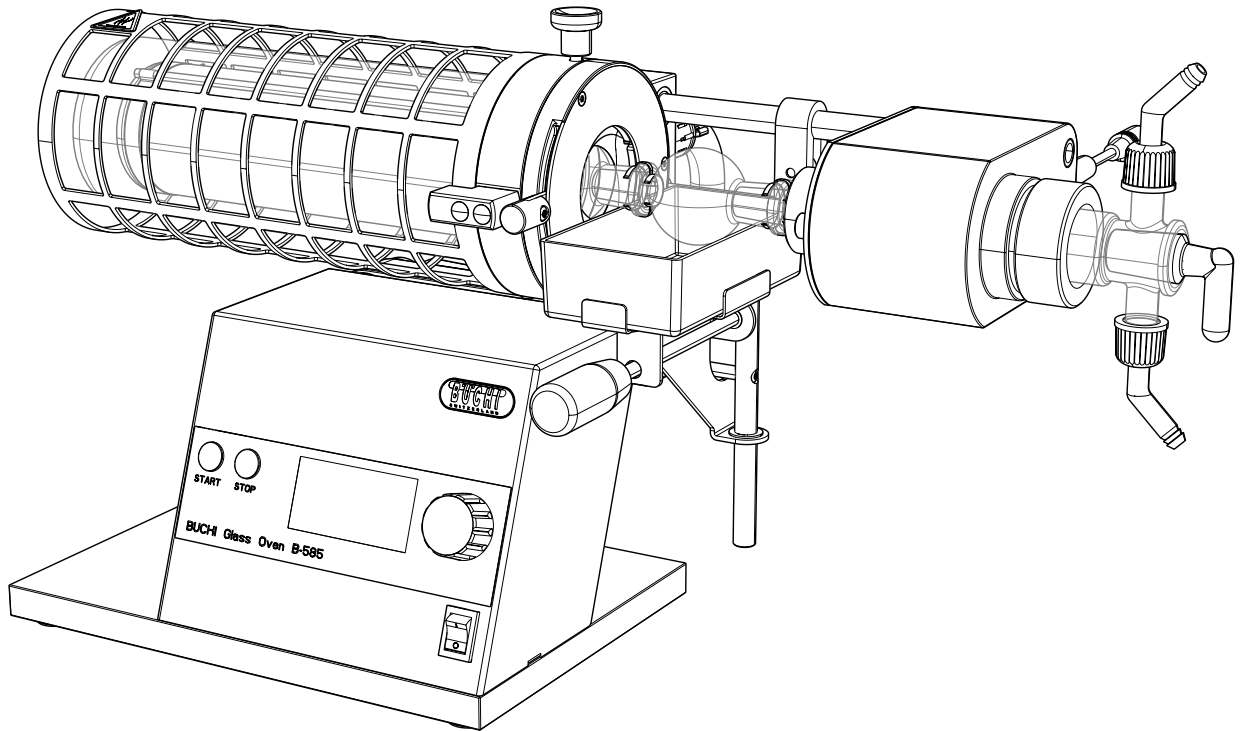




Glass Oven B-585

Technical data sheet

With the unique electrically conductive glass tube coating, the Glass Oven B-585 offers visibility of your sample at any time. The whole length of the oven tube heats up to a maximum of 300 °C. Signs of thermal degradation are easy visible as the process can be seen at any time. The oven is equipped with a graphic display capable of a manual and programmable modes. It features programmable 3 step temperature / time control setting options.



Scope of delivery

The Glass Oven B-585 is available in two different versions, either as “Drying” or “Kugelrohr”.

Components	B-585
Glass Oven B-585 main unit	1
Drying option or Kugelrohr option (depends on the ordered version)	1
Power cord	1
Operation manual	1

Order code

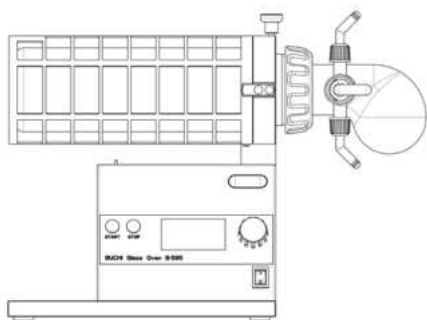
Choose the configuration according to your needs:

0 4 6 6 0 0 Glass Oven B-585 Drying (100 – 230 V)

0 4 6 7 2 0 Glass Oven B-585 Drying (100 V)

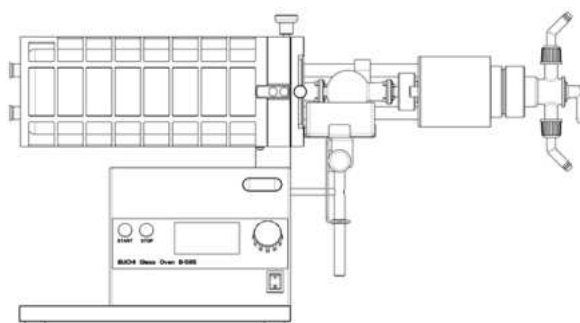
0 4 6 6 0 1 Glass Oven B-585 Kugelrohr (100 – 230 V)

0 4 6 7 2 1 Glass Oven B-585 Kugelrohr (100 V)



Glass Oven B-585 Drying

The Glass Oven B-585 Drying is suited for the removal of residual solvents at high temperatures. The process can be further accelerated by optionally applying vacuum. An adjustable angle of up to 90 ° allows for larger sample volumes.



Glass Oven B-585 Kugelrohr

The Glass Oven B-585 Kugelrohr is suited for the fractionated distillation of small amounts of solvents. Optional accessories allow for further applications such as sublimation or freeze drying.

Dimensions and weight

	Dimensions (W x H x D)	Weight
B-585 Drying	410 x 300 x 300 mm	9.5 kg
B-585 Kugelrohr	650 x 300 x 300 mm	11.5 kg

Technical data

	B-585 Drying	B-585 Kugelrohr
Drying volume	100 – 250 mL	5 – 40 mL
Adjustable angle	0 – 90 °	–
Rotation speed	–	0 – 50 rpm
Operating voltage	100 V – 230 V ± 15 %	
Frequency	50/60 Hz	
Power consumption	max. 450 W	
Warm-up time	approx. 10 min. (from 20 to 300 °C)	
Temperature regulation range	40 – 300 °C	
Temperature precision	± 5 °C (in center of the oven at 300 °C)	
Temperature display	steps of 1 °C	
Programmable gradient steps	3	
Available languages of the program	en, es, de, it, fr, ja	
Vacuum pump connection (ON/OFF)	Yes	
Approval	CE/CSA	

Exemplary solution

The following items are listed based on the solution «Glass Oven All in One».

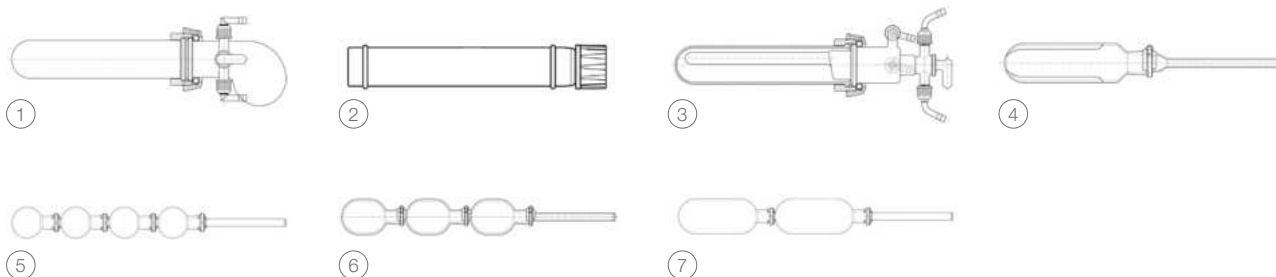
	Order number
Glass Oven B-585 with Kugelrohr assembly (220 – 240 V)	046601
Interface I-100, Vacuum Pump V-100 incl. Woulff bottle	11V100110

Glass Oven accessories

	Order number	Picture
Kugelrohr conversion kit. Incl. cooling unit, suction angle, drive Complete ball tube drive for converting to a ball tube distillation oven (Kugelrohr) incl. cooling device.	046617	

	Order number	Picture
Drying accessory. Glass, incl. stopcock, flange ring, O-ring For converting to the drying model. For sample volumes of 100 to 250 mL.	037010	①
Freeze drying accessory. Glass, incl. glass tube, screw cap, o-ring For freeze drying applications. Meant to be used with the drying accessory and either a condenser or cold trap.	046710	②
Sublimation accessory. Glass, incl. stopcock, flange ring, O-ring For conversion to the sublimation configuration.	037133	③
Rotation drying flask. Glass, 30 mL, SJ14/23 Content: Drying flask, vapor duct, clip	037143	④
Ball tube. Glass, 10 mL (4 pcs), SJ14/23 Content: Ball tubes, Vapor duct, clips	037118	⑤
Ball tube. Glass, 20 mL (3 pcs), SJ14/23 Content: Ball tubes, Vapor duct, clips	037107	⑥
Ball tube. Glass, 40 mL (2 pcs), SJ14/23 Content: Ball tubes, Vapor duct, clips	037117	⑦
Condenser V. Vertical condenser, 1500 cm ² For distillations and freeze drying application. Used with recirculating chiller or tap water. Content: 250 mL receiving flask, ball joint clamp, vacuum connection (P+G).	046711	
Condenser C. Cold trap, 500 cm ² For freeze drying application and for distillations of low-boiling point solvents. Content: 250 mL receiving flask, ball joint clamp, vacuum connection (P+G).	046712	
Cooling unit. Incl. cooling device For substances with a low boiling point, to condense the vapor in the balls outside of the oven area. Cooling device can be filled with e.g. ice-water or dry ice.	046616	
Lab grease. Glisseal 40 (60g) To grease joints in order to increase tightness of system.	048197	
Tubing. Silicone, Ø6/9 mm, transparent, per m Use: Cooling media.	004133	
Communication cable. Mini-DIN, 1.5 m Connection between glass oven and vacuum pump.	038010	
IQ/OQ. B-585 en	11057340	
OQ. B-585 en	11057341	

Pictures of accessories



Glass Oven wear parts

	Order number
Sealing disc. EPDM, Ø36 mm, for closing cap (038691)	038679
O-ring. NBR, Ø50.4 mm	002797
Hose barbs, set. 4 pcs, bent GL14, silicone seal Content: Hose barbs, cap nuts, seals.	037287
Cap nut. Ø20/35 mm, black For ball tube drive (037013).	036824
Vacuum gasket. Shaft seal ring, FKM, Ø22/35 mm	000622
Vacuum gasket. Shaft seal ring, NBR, Ø70/90 mm	001223
Vacuum gasket. Shaft seal ring, NBR, Ø10/24 mm	002862
Vacuum gaskets, set. 5 pcs, shaft seal ring, FKM, Ø10/24 mm	037288