



# Glass Oven B-585 Kugelrohr

## The universal equipment for your lab

Regardless if you need an equipment for distillation, sublimation, freeze-drying or drying of small samples - the Glass Oven B-585 Kugelrohr offers it all.

### Versatile

For multiple applications:  
Sublimation, freeze-drying,  
distillation or even drying



### Efficient and gentle

Highly energy efficient and  
gentle sample treatment



### Ease of use

Easy and intuitive  
operation

## B-585 Kugelrohr: Your most important benefits



### Versatile

Manifold capabilities:

- Sublimation, freeze-drying, distillation or drying
- Ideal for small sample sizes
- Adjustable to your needs with a broad range of accessories and options



### Efficient and gentle

- Fast and energy efficient heating
- Space savings due to its unique and compact design
- High yield by gentle sample treatment
- Avoids cross contamination



### Ease of use

- Easy and intuitive by simple operation
- Visual monitoring of sample chamber

## Complete your portfolio



**Vacuum Pump  
V-100**  
Economical  
vacuum source



**Interface  
I-100**  
Economical vacuum  
regulation



**Rotavapor®  
R-300**  
Convenient and efficient  
rotary evaporation



**Melting Point  
M-560 / M-565**  
Determination of  
melting point

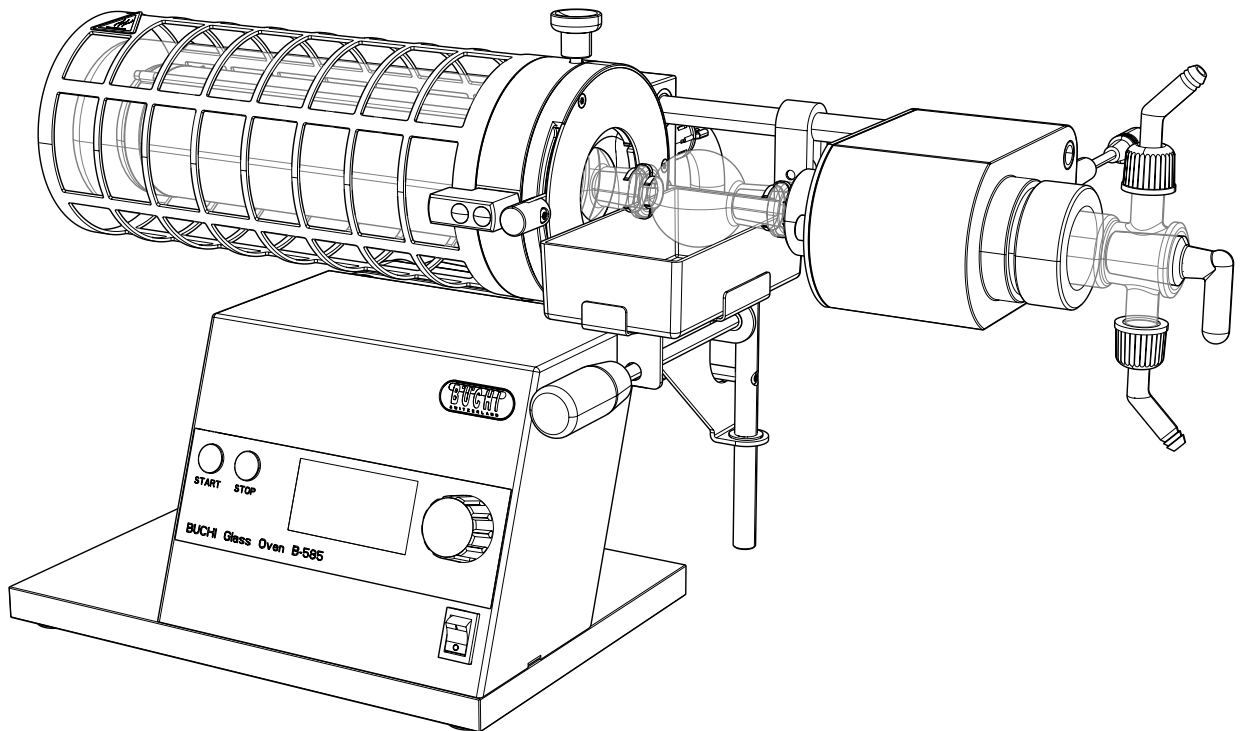




## Glass Oven B-585

### Technical data sheet

With the unique electrically conductive glass tube coating, the Glass Oven B-585 offers visibility of your sample at any time. The whole length of the oven tube heats up to a maximum of 300 °C. Signs of thermal degradation are easy visible as the process can be seen at any time. The oven is equipped with a graphic display capable of a manual and programmable modes. It features programmable 3 step temperature / time control setting options.



## Scope of delivery

The Glass Oven B-585 is available in two different versions, either as “Drying” or “Kugelrohr”.

Components	B-585
Glass Oven B-585 main unit	1
Drying option or Kugelrohr option (depends on the ordered version)	1
Power cord	1
Operation manual	1

## Order code

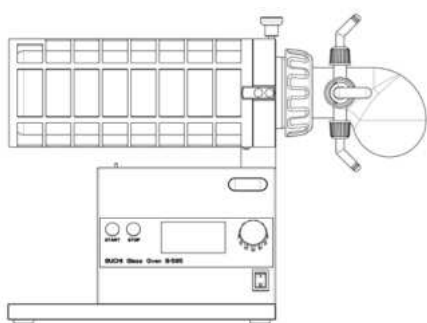
Choose the configuration according to your needs:

**0 4 6 6 0 0** Glass Oven B-585 Drying (100 – 230 V)

**0 4 6 7 2 0** Glass Oven B-585 Drying (100 V)

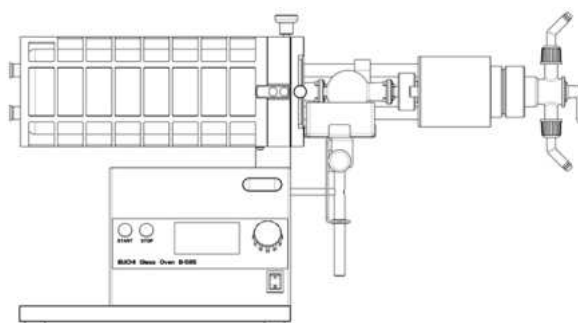
**0 4 6 6 0 1** Glass Oven B-585 Kugelrohr (100 – 230 V)

**0 4 6 7 2 1** Glass Oven B-585 Kugelrohr (100 V)



### Glass Oven B-585 Drying

The Glass Oven B-585 Drying is suited for the removal of residual solvents at high temperatures. The process can be further accelerated by optionally applying vacuum. An adjustable angle of up to 90 ° allows for larger sample volumes.



### Glass Oven B-585 Kugelrohr

The Glass Oven B-585 Kugelrohr is suited for the fractionated distillation of small amounts of solvents. Optional accessories allow for further applications such as sublimation or freeze drying.

## Dimensions and weight

	Dimensions (W x H x D)	Weight
B-585 Drying	410 x 300 x 300 mm	9.5 kg
B-585 Kugelrohr	650 x 300 x 300 mm	11.5 kg

## Technical data

	B-585 Drying	B-585 Kugelrohr
Drying volume	100 – 250 mL	5 – 40 mL
Adjustable angle	0 – 90 °	–
Rotation speed	–	0 – 50 rpm
Operating voltage	100 V – 230 V ± 15 %	
Frequency	50/60 Hz	
Power consumption	max. 450 W	
Warm-up time	approx. 10 min. (from 20 to 300 °C)	
Temperature regulation range	40 – 300 °C	
Temperature precision	± 5 °C (in center of the oven at 300 °C)	
Temperature display	steps of 1 °C	
Programmable gradient steps	3	
Available languages of the program	en, es, de, it, fr, ja	
Vacuum pump connection (ON/OFF)	Yes	
Approval	CE/CSA	

## Exemplary solution

The following items are listed based on the solution «Glass Oven All in One».

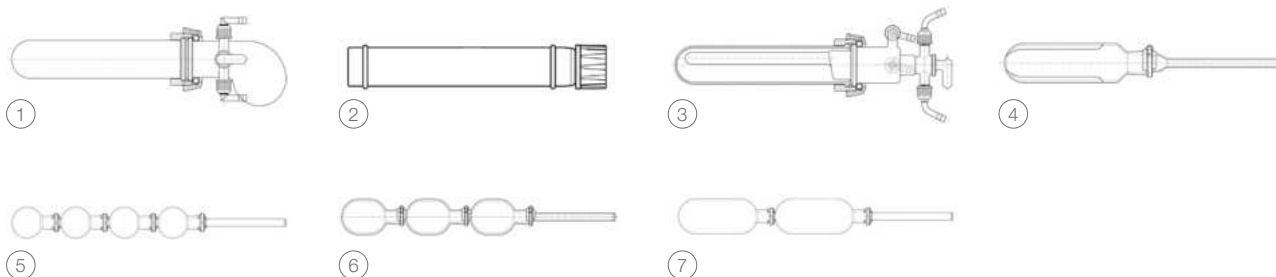
	Order number
Glass Oven B-585 with Kugelrohr assembly (220 – 240 V)	046601
Interface I-100, Vacuum Pump V-100 incl. Woulff bottle	11V100110

## Glass Oven accessories

	Order number	Picture
Kugelrohr conversion kit. Incl. cooling unit, suction angle, drive Complete ball tube drive for converting to a ball tube distillation oven (Kugelrohr) incl. cooling device.	046617	

	Order number	Picture
Drying accessory. Glass, incl. stopcock, flange ring, O-ring For converting to the drying model. For sample volumes of 100 to 250 mL.	037010	①
Freeze drying accessory. Glass, incl. glass tube, screw cap, o-ring For freeze drying applications. Meant to be used with the drying accessory and either a condenser or cold trap.	046710	②
Sublimation accessory. Glass, incl. stopcock, flange ring, O-ring For conversion to the sublimation configuration.	037133	③
Rotation drying flask. Glass, 30 mL, SJ14/23 Content: Drying flask, vapor duct, clip	037143	④
Ball tube. Glass, 10 mL (4 pcs), SJ14/23 Content: Ball tubes, Vapor duct, clips	037118	⑤
Ball tube. Glass, 20 mL (3 pcs), SJ14/23 Content: Ball tubes, Vapor duct, clips	037107	⑥
Ball tube. Glass, 40 mL (2 pcs), SJ14/23 Content: Ball tubes, Vapor duct, clips	037117	⑦
Condenser V. Vertical condenser, 1500 cm <sup>2</sup> For distillations and freeze drying application. Used with recirculating chiller or tap water. Content: 250 mL receiving flask, ball joint clamp, vacuum connection (P+G).	046711	
Condenser C. Cold trap, 500 cm <sup>2</sup> For freeze drying application and for distillations of low-boiling point solvents. Content: 250 mL receiving flask, ball joint clamp, vacuum connection (P+G).	046712	
Cooling unit. Incl. cooling device For substances with a low boiling point, to condense the vapor in the balls outside of the oven area. Cooling device can be filled with e.g. ice-water or dry ice.	046616	
Lab grease. Glisseal 40 (60g) To grease joints in order to increase tightness of system.	048197	
Tubing. Silicone, Ø6/9 mm, transparent, per m Use: Cooling media.	004133	
Communication cable. Mini-DIN, 1.5 m Connection between glass oven and vacuum pump.	038010	
IQ/OQ. B-585 en	11057340	
OQ. B-585 en	11057341	

## Pictures of accessories



## Glass Oven wear parts

	Order number
Sealing disc. EPDM, Ø36 mm, for closing cap (038691)	038679
O-ring. NBR, Ø50.4 mm	002797
Hose barbs, set. 4 pcs, bent GL14, silicone seal Content: Hose barbs, cap nuts, seals.	037287
Cap nut. Ø20/35 mm, black For ball tube drive (037013).	036824
Vacuum gasket. Shaft seal ring, FKM, Ø22/35 mm	000622
Vacuum gasket. Shaft seal ring, NBR, Ø70/90 mm	001223
Vacuum gasket. Shaft seal ring, NBR, Ø10/24 mm	002862
Vacuum gaskets, set. 5 pcs, shaft seal ring, FKM, Ø10/24 mm	037288