

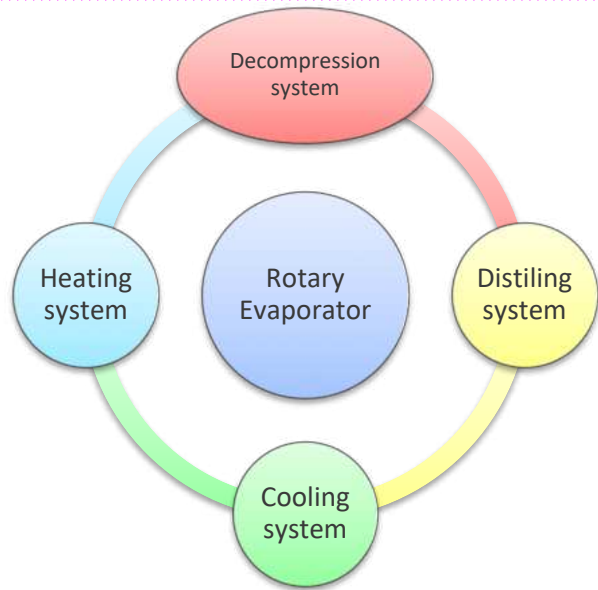


# SCIOLOGEX Rotary evaporator SCI20L-Pro

2019.12



# Design of rotary evaporator



Center axis integration

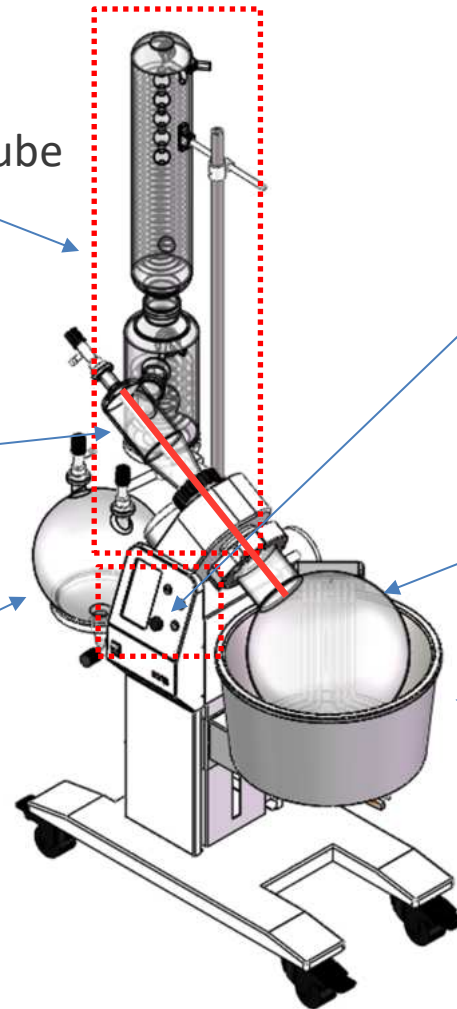
Double-layer  
condensing tube

10L Receiving flask

Large display  
& Control panel

20L Sample flask

Heating bath  
(Automatic 180mm)



# SCI200-Pro 20L Rotary Evaporator



- ❖ Large LCD digital display;
- ❖ One-click automatic motor lifting (stroke 180mm), smooth and silent;
- ❖ Water/oil heating bath with wide temperature range to 180C°;
- ❖ Speed range from 10 to 150rpm, and movement in clockwise or anti-clockwise directions for drying process;
- ❖ Double-layer tube with larger condensation area helps to secure high-efficiency condensation
- ❖ Patent PTFE double sealing ring with excellent sealing performance;
- ❖ A switch-valve for continuous collection without compromising the system vacuum and solvent distillation.

# Specifications

|                         |                            |   |
|-------------------------|----------------------------|---|
| <b>Performance</b>      | <b>Temperature range</b>   | <b>Room temp. ~180°C (both water and oil)</b>   |
|                         | Control Accuracy           | Water: ±1°C Oil: ±3°C   |
|                         | Rotation Speed             | 10~150rpm   |
|                         | Evaporation capacity       | Max.4.0L/h (water vapor volume)   |
|                         | Ultimate vacuum            | Less 2.6hpa   |
| <b>Function</b>         | Temperature control method | Micro processor PID control   |
|                         | Display                    | LCD (temperature/speed/clockwise and Anti-clockwise/time)   |
|                         | Stroke Displacement        | Automatic 180mm   |
|                         | Safety features            | Motor over-current protection, Residual Current Device, lifting overload protection, Boil-dry protection, over-temperature protection |
| <b>Constitute</b>       | Sample flask               | Round flask 20L   |
|                         | Receiving flask            | Round flask 10L with drain valve  |
|                         | Condenser                  | Two-section vertical triple serpentine condenser, cooling surface 1.2m <sup>2</sup>   |
| <b>Specification</b>    | Heating bath size          | Φ450*240mm  |
|                         | Takeover caliber           | Cooling suction nozzle outer diameter 16mm, vacuum pump nozzle outer diameter 16mm  |
| <b>Dimension[W×D×H]</b> |                            | 1160mm×600mm×1860mm   |
| <b>Power supply</b>     |                            | 220V·4600W·50/60Hz<br>380V·6000W·50/60Hz  |

# Key Competitive Advantages



- Unique evaporating flask connector for easy evaporating flask installation



- Central axis integration

# Key Competitive Advantages



Screw-lock connection for excellent condenser sealing, and easy installation

# Key Competitive Advantages



The heating bath has a complete plate lifting method for smooth and stable raising and lowering.

# Key Competitive Advantages



Heating bath with external heating coil provides higher heating efficiency, and easy maintenance.

## Heating bath

- Water/oil heating bath
- High quality stainless-steel material to prevent the corrosion
- Unique heat insulation structure design, insures the surface temperature is far lower than the temperature in the bath, to avoid personnel burns.

# Key Competitive Advantages



Wide-mouth sample flask, for faster filling and easier cleaning