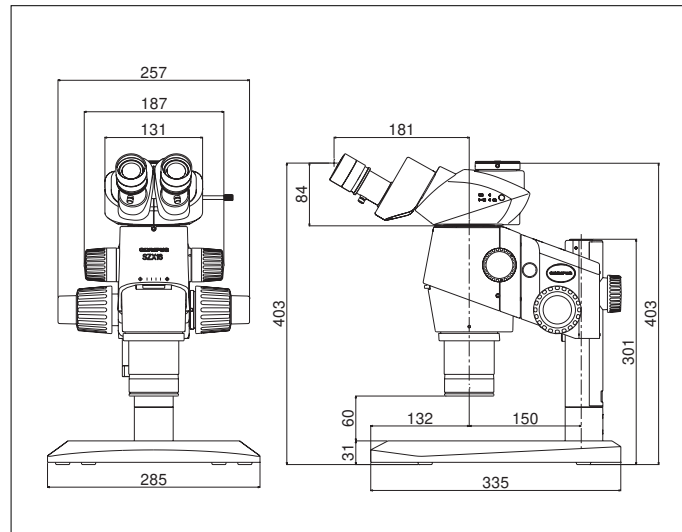


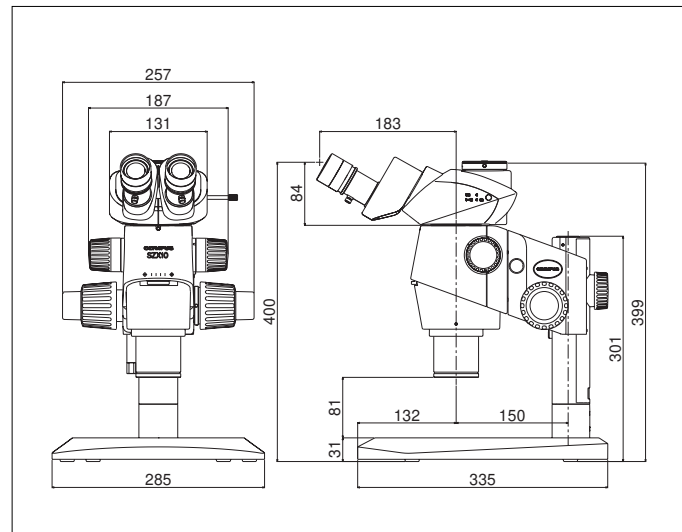
SZX16 standard set dimensions

(unit: mm)



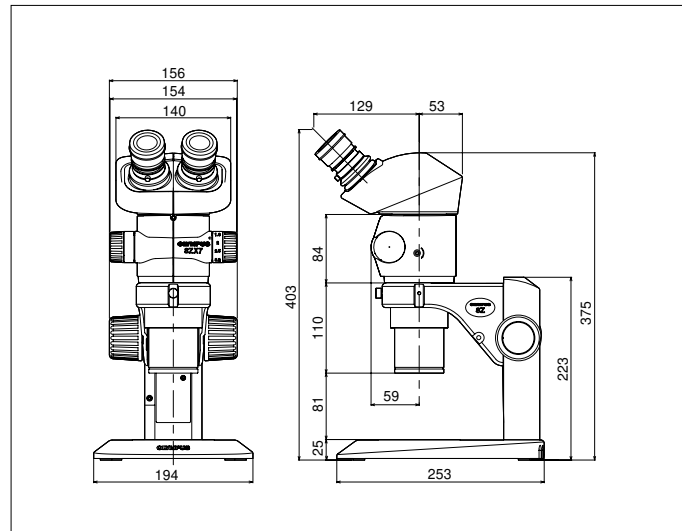
SZX10 standard set dimensions

(unit: mm)



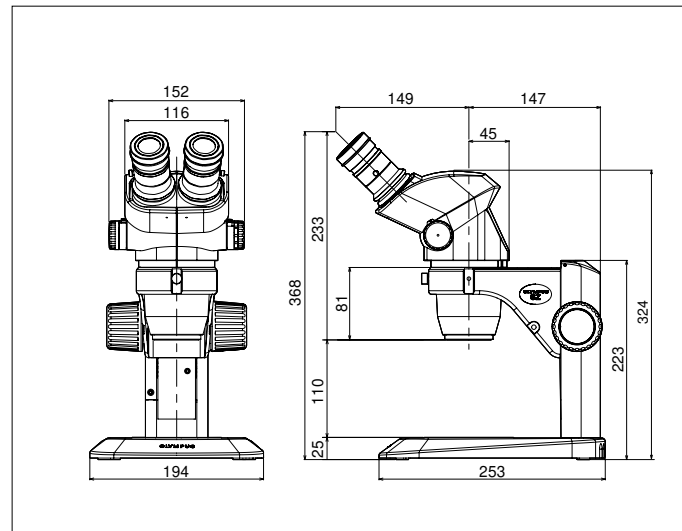
SZX7 standard set dimensions

(unit: mm)



SZ61/ SZ51 standard set dimensions

(unit: mm)

**OLYMPUS**[®]

Your Vision, Our Future

STEREOMICROSCOPES**SZX16/SZX10/SZX7/SZ61/SZ51**

S Z X 1 6 / S Z X 1 0



Industrial Lineup

S Z X 7



S Z 6 1 / S Z 5 1

SZX16, SZX10, SZX7, SZ51 and SZ61 are environmental conscious products according to OLYMPUS's own standards.

The main features of OLYMPUS Eco-products are as follows:

- Lead-free and arsenic-free Eco-glass for optics, such as lenses and prisms.
- Use of cardboard for packing materials without styrene foam for promoting the recycling.

Additional features for SZX16 and SZX10

- Exclusion* of hexavalent chrome, mercury, lead and cadmium from metal materials and surface treatment of metal.
- Exclusion* of lead solders.

*A definition of exclusion depends on olympus standard. Some accessories are inapplicable.

Please visit our web-site for further information:

<http://www.olympus.co.jp/en/eco-products/>



ECO-PRODUCTS

Olympus will contribute to a healthy environment and a sustainable development society by offering environmentally conscious products that are safe and protect the environment.


OLYMPUS CORPORATION has obtained ISO9001/ISO14001

OLYMPUS[®]

OLYMPUS CORPORATION
Shinjuku Monolith, 3-1, Nishi Shinjuku 2-chome, Shinjuku-ku, Tokyo, Japan
OLYMPUS LIFE SCIENCE EUROPA GMBH
Postfach 10 49 08, 20034, Hamburg, Germany
OLYMPUS SURGICAL & INDUSTRIAL AMERICA INC.
One Corporate Drive, Orangeburg, NY 10962, U.S.A.
OLYMPUS AUSTRALIA PTY. LTD.
31 Gilby Road, Mt. Waverley, VIC 3149, Melbourne, Australia.

OLYMPUS LATIN AMERICA, INC.
5301 Blue Lagoon Drive, Suite 290 Miami, FL 33126, U.S.A.

www.olympus.com

 **PRINTED WITH SOY INK** This catalog is printed with soy ink via environmentally friendly waterless printing system.

Olympus stereomicroscopes deliver the superior image data needed for cutting-edge research, development and production.

Olympus presents two stereomicroscope lineups that are models of efficiency offering brilliant optical performance. Integrated with superb Galilean optics, the SZX series has a wide zoom range for distinct clarity and high-resolution imaging. The Greenough optical system has been designed into the SZ series with a compact body for user-friendly operation throughout the zoom range. Both SZX and SZ models deliver outstanding image data that are a distinct advantage for research, development and production in the industrial field and advanced electronics.

Stereomicroscope Lineup

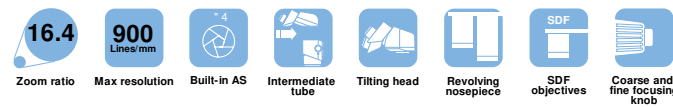
Galilean optical system

SZX16 Series



High precision stereomicroscopes: Optimum viewing and ease of use

- Newly developed SDF objectives at a high resolution correct for aberrations
- High resolution at 900 lines/mm (with 2x objectives)
- Ergonomic design for natural posture plus reduced stress and fatigue during prolonged observation



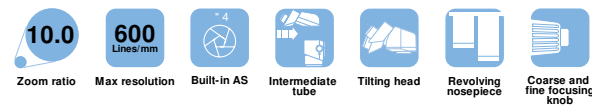
Galilean optical system

SZX10 Series



Highly versatile basic model reproduces true-to-life images of samples

- 10x zoom ratio for sharp and clear images from macro observation at low magnification to micro observation at high magnification
- Built-in AS enables deeper focal depth for smoothly viewing thick samples



Performance Specifications

	Zoom ratio	Zoom magnification	Total magnification*	Optics Performance	Long WD
SZX16	16.4	0.7x-11.5x	2.1x-690x		
SZX10	10.0	0.63x-6.3x	3.15x-378x		
SZX7	7.0	0.8x-5.6x	4.0x-336x		
SZ61	6.7	0.67x-4.5x	1.68x-270x		
SZ51	5.0	0.8x-4.0x	2.0x-240x		

*Total magnification using 1.0x objectives.

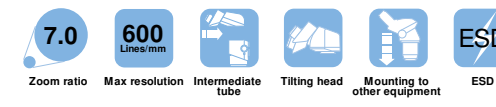
Galilean optical system

SZX7 Series



Cost-efficient model with Galilean optical system

- Compact model expandable for high-resolution observation
- Trinocular head compatible with digital camera



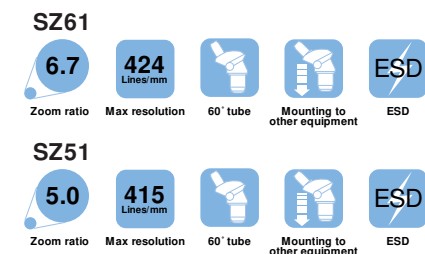
Greenough optical system

SZ61/SZ51 Series



All functions needed for routine work, all in one compact body

- Greenough optical system for maximum performance
- Slim and compact body for enhanced efficiency
- Well-suited to routine work alone or in combination with other devices, including digital cameras and TV cameras



Illumination suited to various samples

Choose from a lineup of expandable illuminators that can be integrated into stereomicroscope systems. Olympus stereomicroscopes create the best illuminating environment for optimum results in brightness, contrast, and spotlighting, depending on inspection objectives and condition of samples.

SZX16/SZX10



Slim LED transmitted light illuminator
SZX2-ILLT



Ring light guide
LG-F66



Dual inter-lock light guide
LG-DI



Coaxial illuminator
SZX2-ILLC16/SZX2-ILLC10

These accessories are available only for the SZX16 and SZX10. Above pictures are sample set-ups of accessories. Please refer to other product catalogs for more details on illuminators.

SZX7/SZ61/SZ51



LED illuminator stand
SZ2-ILLST



Ring light guide
SZ2-LGR



22W dual inter-lock light guides
SZ2-LGD



Coaxial illuminator (for SZ61, SZ51)
SZ2-ILLC

These accessories are available only for the SZX7, SZ61 and SZ51. Above pictures are sample set-ups of accessories. Please refer to other product catalogs for more details on illuminators.