

Toyama

Friabilator

Model TFT-1200

Conforming to JP, USP and EP



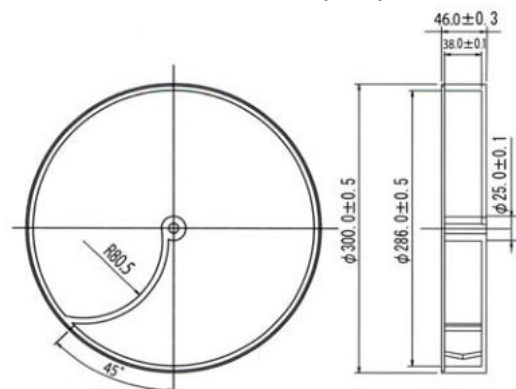
Features

- **Automatic sample ejection**
 - After the end of testing, sample tablets are automatically ejected to the sample tray, so there is no need to take off a drum to take out sample tablets.
- **Variable speed gear for drum rotation**
 - Drum's rotation speed is settable by the equipped variable speed gear, making it possible to do your test under the different drop frequency than specified by the relevant pharmacopeia.
- **Two-drum specification**
 - Two-drum type friabilator is available by adding an optional extension shaft with the extra E-2 drum.

Specifications

Model	TFT-1200
Drum No.	1 (2 in option)
Settable rotation range	1 to 99 rpm
Accuracy of rotation speed	± 1 rpm
Settable drop number	1 to 9999 (one step)
Automatic sample ejection	Equipped as standard
Drum inclination	Available (10° fixed)
Safety device	Equipped against power failure and electric leakage
Power source	100V to 240V AC, 50/60Hz
Max. power consumption	0.1kVA
Dimensions	300(W) x 360(D) x 435(H) mm
Weight	10.2kg (9.0kg/main unit)

Drum's Dimensions (mm)



Supplied by: **XEBEX INTERNATIONAL, LTD.**

105, Shakuji-machi 2-1-4, Nerima-ku, Tokyo 177-001, Japan
Fax. 81-3-5372-2583, Email: info@xebex.jp

Made by: **TOYAMA SANGYO CO., LTD.**

4 -3-6, Toyosaki, Kita-ku, Osaka 531-0072, Japan



Distributor