



New Brunswick™ Premium -86 °C Freezers

Operating manual



LAB Online Exhibition



Copyright

Copyright © 2015 Eppendorf AG, Germany. No part of this publication may be reproduced without the prior permission of the copyright owner.

The company reserves the right to change information in this document without notice. Updates to information in this document reflect our commitment to continuing product development and improvement.

Trademarks

Eppendorf® and the Eppendorf logo are registered trademarks of Eppendorf AG, Germany.

New Brunswick™ and the New Brunswick™ logo are trademarks of Eppendorf AG, Germany.

BioCommand® is a registered trademark of Eppendorf, Inc., USA.

Innova® is a registered trademark of Eppendorf, Inc., USA.

S.M.A.R.T. Plus™ is a pending trademark of Eppendorf, Inc., USA.

Trademarks are not marked in all cases with ™ or ® in this manual.

Eppendorf has attempted to identify the ownership of all trademarks from public records. Any omissions or errors are unintentional.

Table of contents

| | | |
|----------|--|-----------|
| 1 | Operating instructions | 7 |
| 1.1 | Using this manual | 7 |
| 1.2 | Danger symbols and danger levels | 7 |
| 1.2.1 | Hazard symbols | 7 |
| 1.2.2 | Degrees of danger | 7 |
| 1.3 | Symbols used | 8 |
| 1.4 | Abbreviations used | 8 |
| 2 | Safety | 11 |
| 2.1 | Intended use | 11 |
| 2.2 | Warnings for intended use | 11 |
| 2.2.1 | Manual conventions used | 11 |
| 2.2.2 | Health and safety at work act 1974 | 12 |
| 3 | Product description | 13 |
| 3.1 | Main illustration | 13 |
| 3.2 | Delivery package | 14 |
| 3.2.1 | Inspection of boxes | 14 |
| 3.2.2 | Packing list verification | 14 |
| 3.3 | Product versions | 15 |
| 3.3.1 | Introduction | 15 |
| 3.4 | Features | 16 |
| 4 | Installation | 17 |
| 4.1 | Preparing installation | 17 |
| 4.2 | Selecting the location | 17 |
| 4.3 | Mains/Power plugs and receptacles | 17 |
| 4.4 | Installing the shelves | 18 |
| 4.4.1 | Maximum freezer shelf load | 18 |
| 4.5 | Lockable freezer handle | 18 |
| 5 | Operating controls and function | 21 |
| 5.1 | Controls and function | 21 |
| 6 | Operation | 25 |
| 6.1 | Getting started | 25 |
| 6.1.1 | Plug in | 25 |
| 6.1.2 | Turning the freezer On/Off | 25 |
| 6.1.3 | Alarm/battery activation | 26 |
| 6.1.4 | Testing the alarm monitoring socket | 27 |
| 6.1.5 | Vacuum effect | 27 |
| 6.2 | Programming the freezer | 27 |
| 6.2.1 | Setting operating temperature | 28 |
| 6.2.2 | Setting high alarm setpoint | 28 |
| 6.2.3 | Setting low alarm setpoint | 29 |
| 6.2.4 | Checking temperature and alarm setpoint settings | 29 |
| 6.2.5 | Setting the alarm delay | 29 |
| 6.2.6 | Changing lock codes | 30 |

Table of contents

Premium -86 °C Freezers
English (EN)

| | | |
|-----------|--|-----------|
| 6.2.7 | Setting the temperature offset | 31 |
| 6.3 | Battery backup switch | 31 |
| 6.4 | RS-485 Connection | 31 |
| 6.5 | Alarm monitoring socket | 32 |
| 7 | Maintenance | 35 |
| 7.1 | Cleaning | 35 |
| 7.1.1 | Painted surfaces | 35 |
| 7.1.2 | Interior and shelves | 35 |
| 7.1.3 | Air intake grille and filter | 35 |
| 7.1.4 | Heated vent port | 35 |
| 7.1.5 | Door or lid seal | 36 |
| 7.2 | Routine maintenance | 36 |
| 7.2.1 | Lubrication | 37 |
| 7.2.2 | Defrosting | 37 |
| 7.2.3 | Removing the inner doors | 37 |
| 7.2.4 | Replacing the inner door | 38 |
| 7.2.5 | Electrical components | 38 |
| 7.3 | Service safety checklist | 40 |
| 8 | Troubleshooting | 41 |
| 8.1 | General errors | 41 |
| 8.2 | Error messages | 41 |
| 8.3 | After a mains/power failure | 42 |
| 8.4 | Interior warming | 42 |
| 9 | Technical data | 45 |
| 9.1 | Specifications | 45 |
| 9.1.1 | Upright freezers specifications | 45 |
| 9.1.2 | Chest freezers specifications | 48 |
| 10 | Ordering information | 51 |
| 10.1 | Accessories | 51 |
| 10.1.1 | TCA-3 temperature monitoring system | 51 |
| 10.1.2 | Auto-dialers | 51 |
| 10.1.3 | Temperature probes | 51 |
| 10.1.4 | Validation packages | 51 |
| 10.1.5 | External voltage stabilizers | 51 |
| 10.1.6 | Padlock adapter kits | 51 |
| 10.1.7 | CO ₂ and LN ₂ back-up systems | 51 |
| 10.1.8 | Inventory racking systems | 52 |
| 10.1.9 | Chart recorder | 52 |
| 10.1.10 | BioCommand SFI datalogging software (RS-485 interface) | 52 |
| 11 | Transport, storage and disposal | 53 |
| 11.1 | Shut down | 53 |
| 11.2 | Transport | 53 |
| 11.3 | Disposal | 53 |

| | |
|------------------------------|-----------|
| 12 Certificates | 55 |
| Index | 57 |
| Certificates | 63 |

Table of contents

Premium -86 °C Freezers
English (EN)






1 Operating instructions

1.1 Using this manual

- ▶ Carefully read this operating manual before using the device for the first time.
- ▶ Also observe the operating manual enclosed with the accessories.
- ▶ The operating manual should be considered as part of the product and stored in a location that is easily accessible.
- ▶ When passing the device on to third parties, be sure to include this operating manual.
- ▶ If this manual is lost, please request another one. The latest version can be found on our website www.eppendorf.com (international) or www.eppendorfn.com (North America).

1.2 Danger symbols and danger levels

1.2.1 Hazard symbols

| | | | |
|---|-----------------------|---|------------------------|
|  | Hazard point |  | Freezer burn |
|  | Electric shock |  | Material damage |
|  | Crush | | |

1.2.2 Degrees of danger


The following degree levels are used in safety messages throughout this manual. Acquaint yourself with each item and the potential risk if you disregard the safety message.

| | |
|----------------|---|
| DANGER | <i>Will</i> lead to severe injuries or death. |
| WARNING | <i>May</i> lead to severe injuries or death. |
| CAUTION | May lead to light to moderate injuries. |
| NOTICE | May lead to material damage. |

Operating instructions

Premium -86 °C Freezers
English (EN)

1.3 Symbols used

| Example | Meaning |
|---|--|
| ▶ | You are requested to perform an action. |
| 1. 2. | Perform these actions in the sequence described. |
| • | List. |
|  | References useful information. |

1.4 Abbreviations used

A

Amp

CFC

Chlorofluorocarbons

°C

Degree Celsius

HCFC

Hydrochlorofluorocarbon

HFC

Hydrofluorocarbon

Hz

Hertz

kg

Kilogram

lb

Pound

m

Meter

min

Minute

mm

Millimeter

N/A

Not applicable

rpm

Revolutions per Minute (min⁻¹)

ULT

Ultra-Low Temperature

V

Volt

2 Safety

2.1 Intended use

Eppendorf line of Premium freezers are designed to provide precise, ultra-low temperature environments for cold storage of materials for research purposes. They are designed to provide ultra-low temperature sample storage from -50 °C to -86 °C at 32 °C maximum ambient operating temperature.

2.2 Warnings for intended use

2.2.1 Manual conventions used



WARNING! Risk of personal injury

- ▶ BEFORE connecting the freezer to the mains/electrical supply, make sure that the mains/power supply matches the requirements of the equipment. Check the specification plate (located on the side of the freezer) for the electrical requirements. The equipment should be connected to an earthed/grounded outlet socket.



WARNING! Risk of personal injury

- ▶ Flammable warning messages alert you to possible risks of personal injury and equipment damage: protect the system from sparks and flames.



CAUTION! Risk of personal injury

- ▶ Use freezer gloves at all times when loading or unloading the equipment. The temperature of operation is such that direct contact with the cold contents or inside the equipment can burn unprotected skin.



CAUTION! Risk of personal injury

- ▶ Do not use this equipment in a hazardous atmosphere or with hazardous materials for which the equipment was not designed.
- ▶ Please read the entire operating manual before attempting to use this equipment. If operational guidelines are not followed, personal injury may occur.



CAUTION! Risk of personal injury

- ▶ Crush Warning messages alert you to specific procedures or practices regarding heavy objects which, if not followed correctly, could result in serious personal injury.

Safety

Premium -86 °C Freezers
English (EN)

**NOTICE! Risk of material damage**

- ▶ This equipment must be operated as described in this manual.
- ▶ Please read the entire operating manual before attempting to use this equipment. If operational guidelines are not followed, equipment damage may occur.

2.2.2 Health and safety at work act 1974

(FOR THE UNITED KINGDOM)

Eppendorf, as manufacturers and suppliers of laboratory equipment, are obliged under the terms of the above Act to provide our users with instructions on the safe installation, operation and maintenance of our equipment.

Our equipment is designed to acceptable standards and does not entail any hazard if used, as advised in the attached instructions.

The following safety precautions should be observed by all personnel using this equipment:

1. Read and understand this manual. If in doubt, contact your local Eppendorf sales office.
2. Do not remove any covers. There are no operable controls other than those referred to in this manual. There are voltages in excess of 41.5 volts AC behind the covers.
3. Observe good housekeeping practices, at all times keeping the equipment and the adjacent areas clean, dry and uncluttered.
Should any malfunctions occur or be suspected, immediately call a qualified service engineer to investigate.

3 Product description

3.1 Main illustration

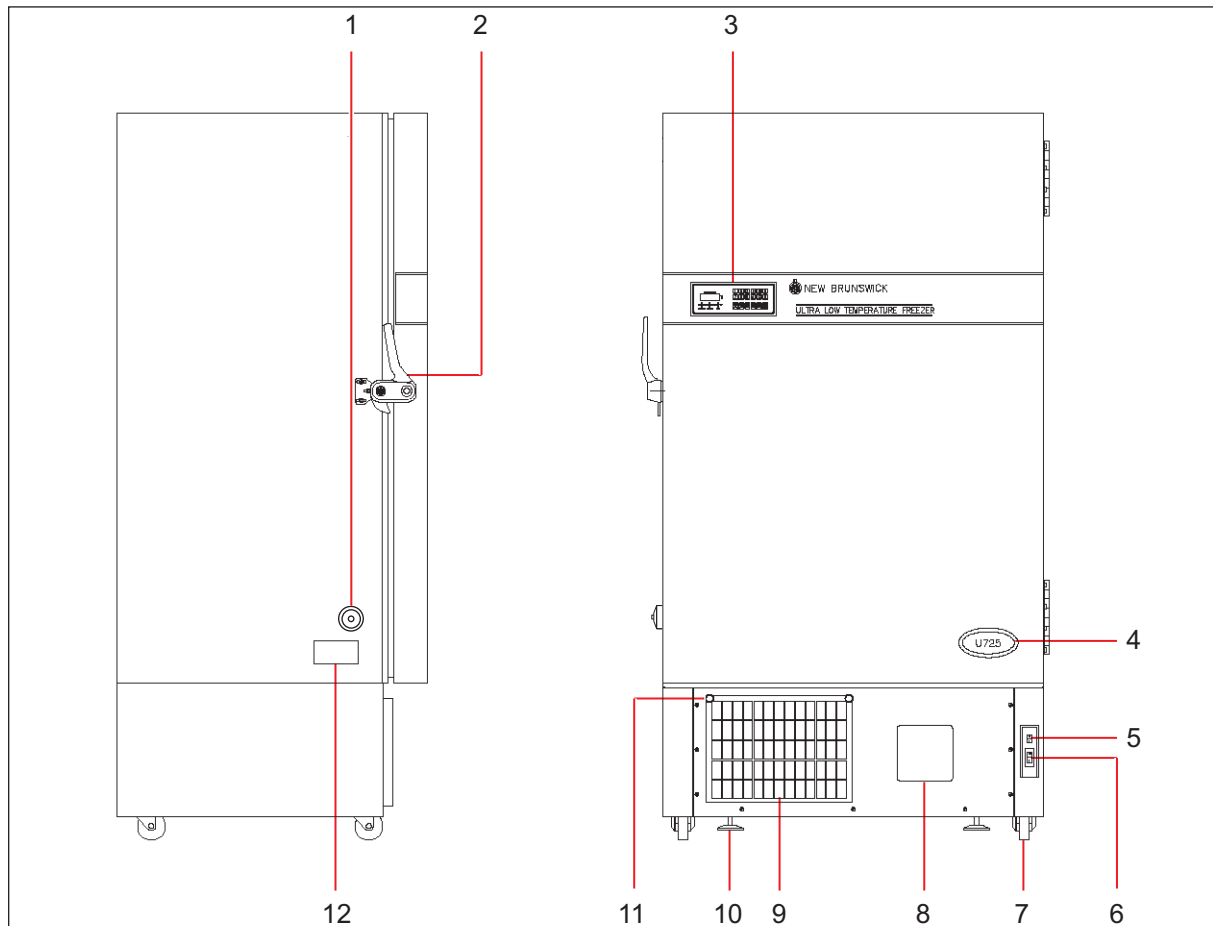


Fig. 3-1: Upright freezer - Side and front views

- | | |
|--|-----------------------------|
| 1 Heated vent port | 7 Transport castors |
| 2 Door handle (lockable) | 8 Chart recorder (optional) |
| 3 Control panel/display | 9 Air filter grille |
| 4 Model label | 10 Adjustable feet |
| 5 Battery switch behind lockable panel | 11 Quarter turn fastener |
| 6 On/Off circuit breaker behind lockable panel | 12 Specification plate |

Product description

Premium -86 °C Freezers
English (EN)

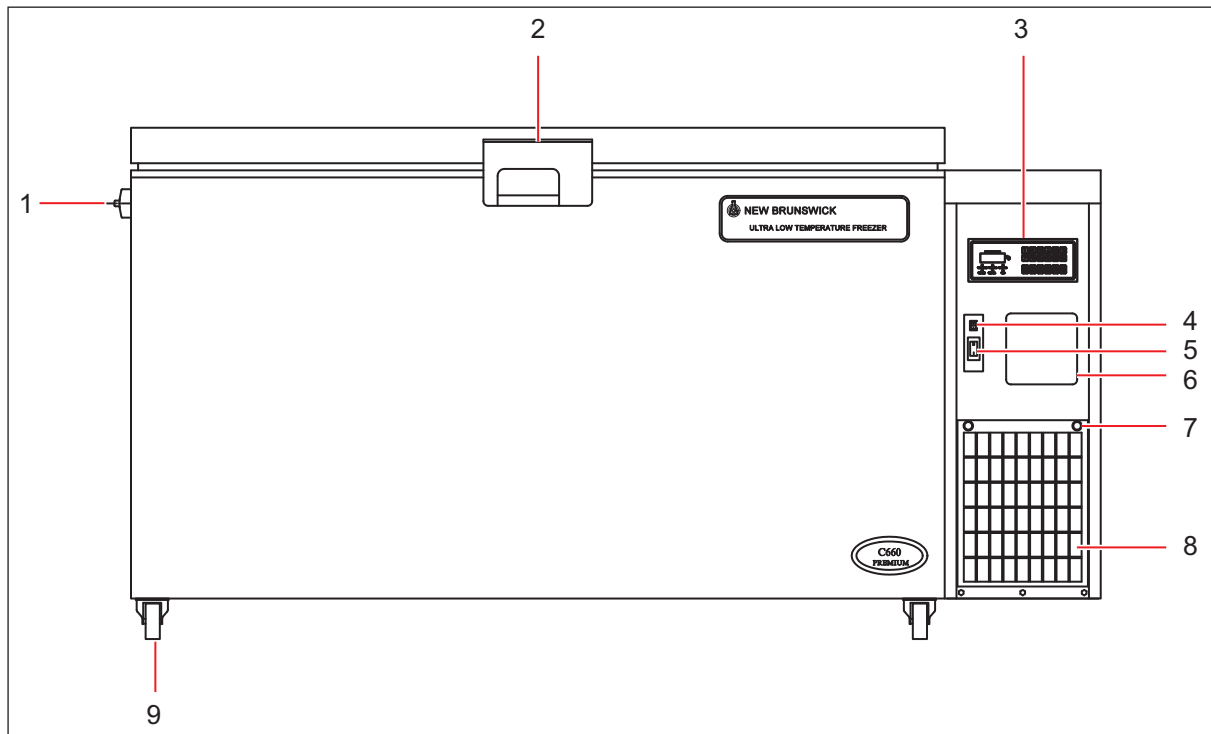


Fig. 3-2: Chest freezer - Front view

- | | |
|--|-----------------------------|
| 1 Heated vent port (inside compressor housing) | 6 Chart recorder (optional) |
| 2 Lockable handle | 7 Quarter turn fasteners |
| 3 Control panel/display | 8 Air filter grille |
| 4 Battery switch (alarm) behind lockable panel | 9 Braked castors (front) |
| 5 On/Off circuit breaker behind lockable panel | |

3.2 Delivery package

3.2.1 Inspection of boxes

Inspect the boxes carefully for any damage that may have occurred during shipping. Report any damage to the carrier and to your local Eppendorf Sales Order Department immediately.

3.2.2 Packing list verification

Unpack your order, saving the packing materials for possible future use. Save the operating manual for instruction and reference. Verify against your packing list that you have received the correct materials, and that nothing is missing. If any part of your order was damaged during shipping, is missing, or fails to operate, fill out the "Customer Feedback" form, available online at <http://newbrunswick.eppendorf.com/en/contact-us/>.



NOTICE! Risk of material damage

- ▶ Inspect the cabinet panels for punctures or other damage that compromises the integrity of the product.
- ▶ Any unauthorized punctures or other damage deliberately made to the cabinet walls will invalidate the warranty.

3.3 Product versions

3.3.1 Introduction

This manual provides the user with the necessary information for installation and operation of the Eppendorf line of Premium ultra-low temperature freezers. It also provides some preliminary user maintenance information.

This manual covers all versions of the Premium freezer models:

| Model (230 V, 50 Hz) | Capacity |
|-----------------------------|------------------------------|
| U410 | 410 liters (14.5 cubic feet) |
| U570 | 570 liters (20.0 cubic feet) |
| U700 | 700 liters (24.6 cubic feet) |
| C340 | 340 liters (12.0 cubic feet) |
| C660 | 660 liters (23.3 cubic feet) |

| Model (208 - 230 V, 60 Hz) | Capacity |
|-----------------------------------|------------------------------|
| U410 | 410 liters (14.5 cubic feet) |
| U570 | 570 liters (20.0 cubic feet) |
| U700 | 700 liters (24.6 cubic feet) |
| C660 | 660 liters (23.3 cubic feet) |

| Model (115 V, 60 Hz) | Capacity |
|-----------------------------|------------------------------|
| U410 | 410 liters (14.5 cubic feet) |
| U570 | 570 liters (20.0 cubic feet) |
| U700 | 700 liters (24.6 cubic feet) |
| C340 | 340 liters (12.0 cubic feet) |

Premium freezers are totally free of CFCs (Chlorofluorocarbons) and HCFCs (Hydrochlorofluorocarbons). They use HFCs (Hydrofluorocarbons) as refrigerants.

Product description

Premium -86 °C Freezers
English (EN)

3.4 Features

The freezers are manufactured using high quality steel and electronics for long life. The Premium freezers have many features designed to provide ease of use and maintenance, security and reliability to your ultra-low temperature storage needs. They are built to stringent regulatory requirements for safety and environmental friendliness and disposability, and they are CE and UL certified.

Features include:

- Designed to be exceptionally energy efficient and eco-friendly.
- A setpoint keypad and digital temperature readout are provided on a control panel, located on the door of the upright freezers and on the console on the right side of chest freezers. Controls for setting the freezer temperature and alarm warning setpoints are enabled by an electronic lock. A unique code, which is selected by the user through the keypad, sets this lock. The code can be changed at any time, provided the current setting of the lock is known. **On delivery, the lock code is "0000" (unlocked).**
- Indicator lamps on the control panel provide warnings of power loss, system failure, exceeding High/Low temperature setpoints, low battery voltage, and filter blockage. There is also an LED to indicate when the freezer is under remote control via the RS-485 optional computer interface.
- Freezers are totally free of CFCs (Chlorofluorocarbons) and HCFCs (Hydrochlorofluorocarbons). They use industrial grade, commercially available HFCs (Hydrofluorocarbons) as refrigerants.
- Heavy-duty commercially available compressors provide rapid temperature pull-down and recovery after door opening.
- A heated port with ice-clearing plunger prevents vacuum formation enabling the outer door to be easily opened at anytime.
- All interior panels and shelves are made of high grade corrosion-resistant stainless steel, making them durable and easy to keep clean and sterilize.
- Heavy duty castors enable easy installation and relocation.
- Two access ports allow easy addition of sensors, or of back-up systems that can provide cooling protection for your samples in the case of a power outage or other system failure.
- An alarm contact is provided for connection to an external monitoring device or system.
- The freezers can be fitted with an optional 7-day circular chart recorder to provide independent temperature recording.
- An automatic reset restarts freezers at random 15 second intervals to protect the microprocessor controller from damage by electrical spikes caused by multiple freezers turning on at once.
- Lockable freezer handles on outer door provide added security against unauthorized users.
- Multiple accessories are offered, including CO₂/LN₂ back-up systems, remote monitoring systems, external voltage stabilizer, inventory racking, and more.

4 Installation

4.1 Preparing installation



WARNING! Risk of personal injury

- ▶ DO NOT attempt to lift any freezer by hand. Preferred lifting for loading and unloading is by mechanical lifting equipment.



NOTICE! Risk of material damage

- ▶ Maintenance, adjustment and repair work should be carried out only by QUALIFIED, EXPERIENCED personnel who have been AUTHORIZED to undertake such work by Eppendorf or its authorized agents.
 - ▶ Failure to use authorized service agents will invalidate the warranty.
-

4.2 Selecting the location

All freezers are mounted on castors for ease of movement. Upright freezers have feet that provide both a leveling feature and a locking feature to stop the freezer from rolling once it is in place; locking front castors do not provide leveling adjustment, so the site chosen for the freezer must have a flat, level floor.

Position the freezer to allow disconnection to be made in respect to removal of the plug or appliance coupler, also the free air entry through the intake grille in the front and free air exit from the back. Provide a clearance of at least 150 mm (6 in) on all sides.

For efficient temperature control, the freezer should be placed in a shaded area, away from sources of excessive heat. For maximum cooling capability, the product should be located in an air-conditioned room.

4.3 Mains/Power plugs and receptacles

Eppendorf line of freezers are offered with a variety of mains/power cords to accommodate local voltage requirements. To determine the mains/power receptacle required in your lab, first identify the plug we provide from the list below and check the freezer rating plate for mains/power requirements, then see the table which follows.




NOTICE! Risk of material damage

- ▶ Only use approved mains/power cords with the correct power rating. Contact your local Eppendorf sales office for replacement cords.
-

- All 115 V, 60 Hz freezers use plug B, with the exception of Innova U101 freezers which use plug A
- All 208 - 230 V, 60 Hz freezers use plug C
- All 230 V, 50 Hz freezers are provided with both plugs D and E

Installation

Premium -86 °C Freezers
English (EN)

| Freezers with this Code | Have this Plug | Require this Receptacle | NEMA Reference | |
|-------------------------|---|---|-------------------|------------|
| | | | Plug | Receptacle |
| A |  |  | 5-15P | 5-15 |
| B |  |  | 5-20P | 5-20 |
| C |  |  | 6-15P | 6-15 |
| INTERNATIONAL | | | | |
| D |  |  | European (Schuko) | |
| E |  |  | UK Model | |

4.4 Installing the shelves

Model U410, U570, and U700 freezers are fitted with four adjustable shelves. These can be positioned in 12.7 mm (½ in) steps anywhere throughout the freezer.

To effectively utilize racks within the freezer, be sure to position them so that each shelf is aligned with the bottom of each inner door.

Perform the following steps to install the shelves:

1. Ensure that the freezer is turned off and unplugged.
2. Remove the protective plastic coating from the shelf.
3. Position the four shelf clips evenly within the freezer by squeezing the clip, then inserting it into the shelf support within the freezer.
4. Place the shelf in the freezer, making sure all four shelf clips are supporting the weight of the shelf.

To readjust the shelf or shelf clips, gently squeeze the shelf clip to release it from the side of the freezer, then reposition it as needed.

4.4.1 Maximum freezer shelf load

| | |
|------|---------------|
| U410 | 30 kg (66 lb) |
| U570 | 40 kg (88 lb) |
| U700 | 35 kg (77 lb) |

4.5 Lockable freezer handle

Freezers are supplied with lockable handles.

The C340 and C660 are fitted with a quarter turn key lock.

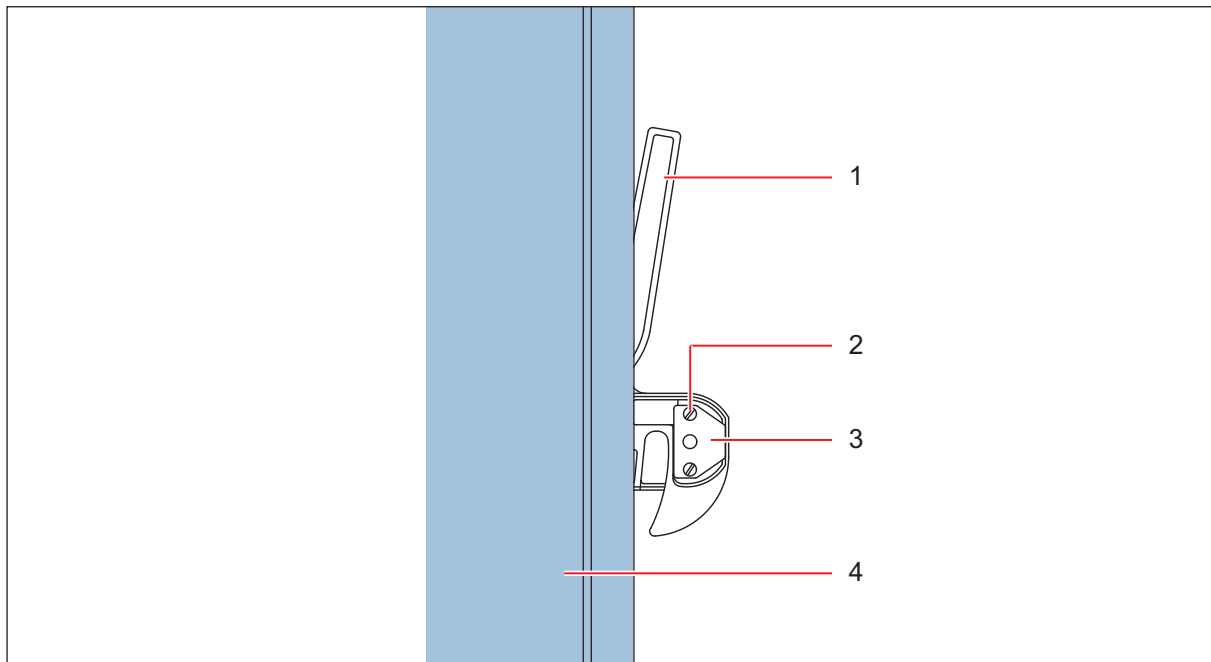
The upright freezer handle is fitted with barrel locks (push in and turn key to lock, turn key to unlock; the barrel will only lock when a key is turned to the lock position). The barrel lock may be removed from the upright freezer handle if the lock feature is not required.

An optional padlock adaptor can provide extra security by allowing the addition of a customer-supplied padlock to secure the freezer handle.

4.5.0.1 Removing the upright freezer handle barrel lock

Perform the following steps to remove the barrel lock from the upright freezer handle, if the lock feature is not required:

1. Open the freezer door and place the freezer handle in closed position.
2. Remove the two screws from behind the lock barrel.



1 Freezer handle

2 Screw (1 of 2)

3 Lining plate

4 Freezer door wall

3. Remove the lining plate and lock barrel.
4. Insert the plastic blanking plug supplied.
5. Insert the lining plate and screw in the two screws.



It is important that the handle lock lining plate be installed at all times.

Installation

Premium -86 °C Freezers
English (EN)

**NOTICE! Risk of material damage**

- ▶ DO NOT SLAM THE DOOR WITH THE HANDLE IN THE CLOSED POSITION.
-

6. Place freezer handle in open position and close freezer door.

The door handle has a cam action to pull the door closed and a reverse cam action to break the seal so the door can be opened. When closing the outer door, ensure that the cam is engaged for correct operation. The initial vacuum inside the cabinet may cause the door to appear closed, but when the vacuum releases, the door will open. Always ensure the handle is properly engaged. It is important that the heated vent port is kept clear. This will avoid putting undue stress on the handle mechanism.

5 Operating controls and function

5.1 Controls and function

Operating controls are located on a control panel mounted in the door of the upright freezers, and on the console on the right side of chest freezers.

Eppendorf line of freezers are equipped with S.M.A.R.T. Plus™ diagnostic software, to help identify the cause of a fault or setpoint variance.

This section describes the controls and function of the control panel, (see Fig. 5-1 on p. 21).

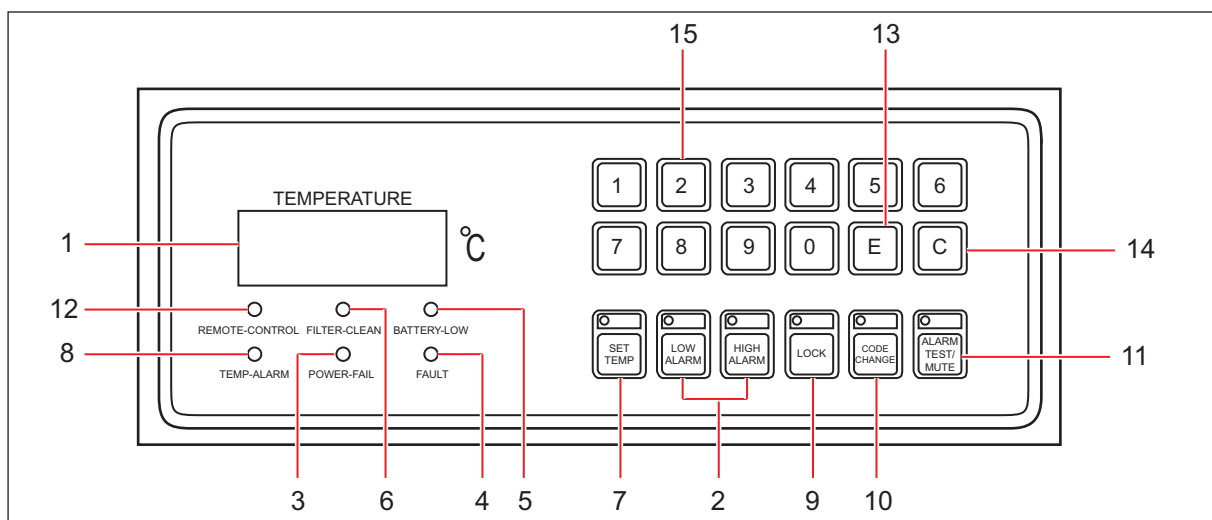


Fig. 5-1: Display panel & keypad

5.1.0.1 Temperature °C Display

| Item | Name | Function |
|------|-----------------------|--|
| 1 | TEMPERATURE °C | The digital display normally shows the current internal temperature of the freezer. Temperature is displayed in 1 °C increments. |

5.1.0.2 High alarm/low alarm

| Item | Name | Function |
|-------|------------------------------|---|
| 2 & 8 | [HIGH/LOW] TEMP-ALARM | The TEMP-ALARM illuminates and the audible alarm sounds if the freezer's internal temperature is above/below the user-selected alarm setpoints. The LED illuminates as soon as the setpoint is passed. The high temperature audible alarm has a programmable delay (see <i>Setting the alarm delay</i> on p. 29). After the temperature returns to the normal range, the TEMP-ALARM switches off and the audible warning stops. |

Operating controls and function

Premium -86 °C Freezers

English (EN)



The audible alarm can be silenced by pressing the **ALARM TEST/MUTE KEY**. If the temperature has not returned to normal range after the programmed time period, the audible warning will sound again. This pattern will continue to repeat until the temperature returns to normal.

5.1.0.3 Temp-alarm light

| Item | Name | Function |
|------|-------------------|--|
| 8 | TEMP-ALARM | Should a mains/power failure cause the temperature to surpass the alarm setpoint, the TEMP-ALARM illuminates. (The audible alarm will already be sounding due to the mains/power failure). The TEMP-ALARM lamp will extinguish when the temperature returns to normal set range. Cancel the TEMP-ALARM by pressing the ALARM TEST/MUTE KEY . |

5.1.0.4 Power fail light

| Item | Name | Function |
|------|-------------------|---|
| 3 | POWER-FAIL | Illuminates if the mains/power supply fails, flashing at approximately 10-second intervals, accompanied by an audible alarm. When mains/power is restored, the indicator goes off and the audible alarm stops. (The battery must be switched on and charged for this indicator to operate.) |

5.1.0.5 Fault light

| Item | Name | Function |
|------|--------------|---|
| 4 | FAULT | Illuminates if there is a system failure within the freezer. Interfacing with the S.M.A.R.T. Plus™ diagnostics via the control panel, the fault can be determined (see <i>Error messages on p. 41</i>). System failure is accompanied by an audible alarm. Correction of the fault extinguishes the light and audible alarm. |

5.1.0.6 Battery low light

| Item | Name | Function |
|------|--------------------|--|
| 5 | BATTERY-LOW | With mains/power ON : illuminates if battery voltage is below 5.6 volts, starts flashing when voltage drops below 5 volts. With mains/power OFF : if battery voltage drop below 5.5 volts, this fault indicator will stop functioning. |

5.1.0.7 Filter clean light

| Item | Name | Function |
|------|---------------------|---|
| 6 | FILTER-CLEAN | Illuminates, accompanied by an audible alarm, to indicate a blocked or dirty filter. Filter is located on the front at the bottom of all freezers. Remove by turning the two thumbscrews on the filter holder ¼ turn. Clean filter by washing in mildly soapy water, then air dry. If filter warning light does not go out after replacing the cleaned filter, contact your local Eppendorf service representative. |

5.1.0.8 Remote control light

| Item | Name | Function |
|------|-----------------------|---|
| 12 | REMOTE CONTROL | Indicates when freezer is operating under remote computer control via the optional RS-485 interface port and BioCommand® SFI software, or other laboratory data logging software. |



The keypad controls are locked when the freezer is under remote control.

5.1.0.9 Set temp key

Operation in normal mode with **LOCK** lamp off.

| Item | Name | Function |
|------|-----------------|--|
| 7 | SET TEMP | Displays current temperature setting. Used to change temperature settings. |

5.1.0.10 High alarm/low alarm keys

Operation in normal mode with **LOCK** lamp off.

| Item | Name | Function |
|------|-------------------|--|
| 2 | HIGH-ALARM | Displays current high alarm temperature setting. |
| 2 | LOW-ALARM | Displays current low alarm temperature setting. |

5.1.0.11 Lock key

Operation in normal mode with **LOCK** lamp off.

| Item | Name | Function |
|------|-------------|---|
| 9 | LOCK | Locks and unlocks the control panel for programming sequence. |

Operating controls and function

Premium -86 °C Freezers

English (EN)

5.1.0.12 Code change key

Operation in normal mode with **LOCK** lamp off.

| Item | Name | Function |
|------|--------------------|---|
| 10 | CODE CHANGE | Used to change freezer lock codes. Inactive in normal mode. |

5.1.0.13 Alarm test/mute key

Operation in normal mode with **LOCK** lamp off.

| Item | Name | Function |
|------|-----------------------------|--|
| 11 | ALARM TEST/ MUTE | Sounds the audible alarm. If the audible alarm is on due to a fault condition, press this key to silence the alarm. The lamp LED lights can also be tested by pressing this key. The lights should all illuminate and the display should read " 8888 ". |



Using the **TEST/MUTE** button does NOT cancel remote alarm monitor socket switching.

5.1.0.14 "E" key

Operation in normal mode with **LOCK** lamp off.

| Item | Name | Function |
|------|----------|--------------------------------------|
| 13 | E | Used to enter data when programming. |

5.1.0.15 "C" key

Operation in normal mode with **LOCK** lamp off.

| Item | Name | Function |
|------|----------|---------------------------------------|
| 14 | C | Used to cancel data when programming. |

5.1.0.16 Numerical keys

Operation in normal mode with **LOCK** lamp off.

| Item | Name | Function |
|------|---------------------------------|---|
| 15 | NUMERICAL KEYS (1-0) | Used to input data when programming. Keys 8 and 9 are also used to program alarm delays (see <i>Setting the alarm delay on p. 29</i>). |

6 Operation

6.1 Getting started



WARNING! Risk of personal injury

- ▶ BEFORE connecting the freezer to the mains/electrical supply, make sure that the mains/power supply matches the requirements of the equipment. Check the specification plate (located on the side of the freezer) for the electrical requirements. The equipment should be connected to an earthed/grounded outlet socket.
-

6.1.1 Plug in

Once you have verified that the mains/power supply matches the electrical requirements of the freezer, connect the product to the mains/power supply using the mains/power cord provided.



WARNING! Risk of personal injury

- ▶ If the freezer's voltage rating does not match your mains/electrical supply, or if the plug on the mains/power cord does not fit the outlet, do not plug the freezer in.
 - ▶ Contact your laboratory supervisor, safety officer, or qualified service or electrical engineer.
-



NOTICE! Risk of material damage

- ▶ Some freezers are supplied with more than one removable mains/power cord. Utilize the cord that matches your power receptacle. Check the voltage rating plate on the side of the freezer, to confirm that the freezer is compatible with your laboratory mains/power supply.
-

6.1.2 Turning the freezer On/Off

The **ON/OFF** circuit breaker is located within the lockable panel at the bottom right-hand corner of the upright freezer or to the left of the control panel on the chest model.

To remove the lockable panel and turn the circuit breaker and battery switch On/Off:

1. Insert and turn the key (provided) one quarter turn to the right.



The key can be removed to prevent access.

2. Remove the panel.
3. Set the **ON/OFF** circuit breaker and battery switch to the **I (ON)** position.
The temperature display illuminates immediately.

Operation

Premium -86 °C Freezers
English (EN)

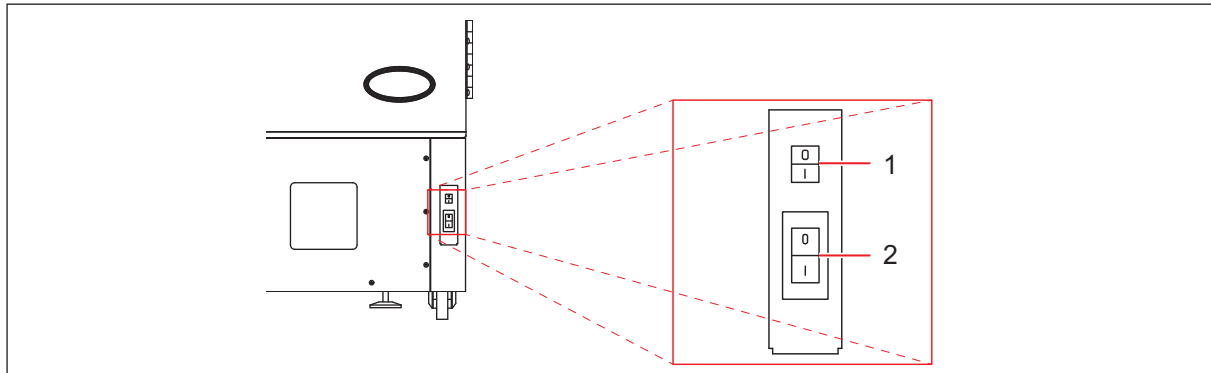


Fig. 6-1: Upright freezers switch location

1 Battery switch

2 On/Off circuit breaker switch

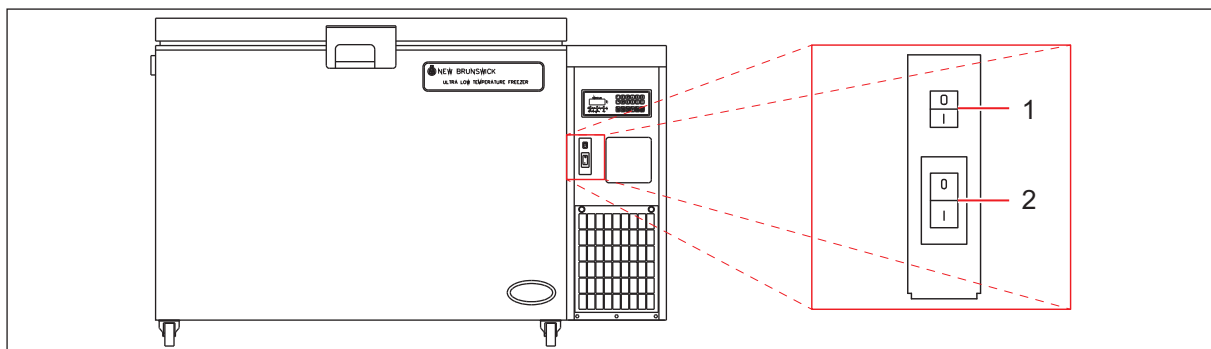


Fig. 6-2: Chest freezers switch location

1 Battery switch

2 On/Off circuit breaker switch



The compressors will not operate for approximately three minutes after connection of the mains/power supply, because there is an automatic delay device in the circuit. Temperature and alarm settings can be adjusted immediately.

6.1.3 Alarm/battery activation

The equipment is delivered with the battery deactivated. The Power Fail alarm is activated by the battery rocker switch within the lockable panel, which is located at the bottom right-hand corner. The switch is labelled **I (ON)** and **O (OFF)** (see Fig. 6-1 on p. 26) and (Fig. 6-2 on p. 26).

- ▶ To activate the alarm, place the battery switch in the **I** position.




Failure to turn on the battery switch may lead to a discharged battery, low battery alarm indication, and/or a disabled alarm system.

- ▶ After activating the alarm, test its operation by pressing the **ALARM TEST/MUTE** key on the display.

The audible alarm should sound.

The **ALARM TEST/MUTE** key also tests the LED lamps. All of the LEDs should light up together when the button is pressed.

 Pull down time to -86 °C will be dependent on the freezer size and model (see *Specifications on p. 45*). The alarm will sound every 30 minutes until the temperature setpoint is reached. Use the **ALARM TEST/MUTE** key to mute the alarm during this initial pull-down period.

If the freezer is turned off during the initial pull-down period, the alarm will activate 30 minutes after switching it back on.

The factory-set temperature is -80 °C.

6.1.4 Testing the alarm monitoring socket


The freezer is fitted with a remote alarm socket for testing power-fail and low battery alarms, and for connection to an external building monitoring system or optional auto-dialer, (see *Alarm monitoring socket on p. 32*). To test the alarm monitoring socket.

- ▶ Turn off (**O**) the **ON/OFF** circuit breaker.
This will test the **POWER FAIL** and **ALARM** output at the same time.

The battery must be switched on to test the **POWER FAIL**. The remote alarm facility provides voltage-free contacts rated at 1 amp, 24 volts maximum.


6.1.5 Vacuum effect

After closing the freezer door following access to the contents, a vacuum may be created. Before the door can be opened again, it may be necessary to wait two or three minutes for the vacuum to be released by the vent port. **Do not try to force the door.** During the release of the vacuum, a slight hissing may be heard. In order to minimize vacuum formation, the vent heater assembly has a spring-loaded plunger to clear ice from the inside of the vent.

 Be careful not to place a rack directly against the vent, as this will inhibit the plunger's ability to operate correctly (see *Heated vent port on p. 35*).

6.2 Programming the freezer

Set the freezer to any temperature within the range from -50 °C to -86 °C.

 All temperature setpoints are automatically negative °C.

6.2.1 Setting operating temperature

To set the operating temperature for the freezer:

1. Press the **LOCK** key.



The **LOCK** lamp will flash if a lock code (password protection) is required, (see *Changing lock codes on p. 30*).

The **LOCK** lamp will illuminate, indicating the system is unlocked and parameters can be changed.

2. Press the **SET TEMP** key.

Its indicator will flash and the display will indicate 0.

3. Using the numerical keys, enter a new temperature (from -50 °C to -86 °C).

The temperature selected will appear in the **TEMPERATURE** display.

4. When the correct temperature is displayed, press the **E** key to enter the data. To set the high alarm setpoint skip to (see *Setting high alarm setpoint on p. 28*), step 2.

The **SET TEMP** lamp will go off.

5. Press the **LOCK** key to exit programming.

The **LOCK** lamp will go off and the freezer will return to normal mode.



Press the **C** key to clear the display during programming.

6.2.2 Setting high alarm setpoint

The high alarm setpoint may not be warmer than -10 °C and may not be less than within +5 °C of the operating temperature. The default setting is +5 °C from the temperature setpoint.

1. Press the **LOCK** key.



The **LOCK** lamp will flash if a lock code (password protection) is required, (see *Changing lock codes on p. 30*).

The **LOCK** lamp will illuminate, indicating the system is unlocked and parameters can be changed.

2. Press the **HIGH ALARM** key.

Its indicator will flash and the display will indicate 0.

3. Using the numerical keys, enter a new alarm setpoint temperature.

The selected temperature will appear in the **TEMPERATURE** display.

4. When the correct temperature is displayed, press the **E** (Enter) key to enter the data. To set the low alarm setpoint skip to (see *Setting low alarm setpoint on p. 29*), step 2.

The **HIGH ALARM** indicator will turn off.

5. Press the **LOCK** key to exit programming.

The **LOCK** lamp will go off and the freezer will return to normal mode.



Press the **C** key to clear the display during programming.

6.2.3 Setting low alarm setpoint

The low alarm setpoint may not be colder than -91 °C and may not be more than within -5 °C of the operating temperature. The default setting is -5 °C from the temperature setpoint.

1. Press the **LOCK** key.



The **LOCK** lamp will flash if a lock code (password protection) is required, (see *Changing lock codes on p. 30*).

The **LOCK** lamp will illuminate, indicating the system is unlocked and parameters can be changed.

2. Press the **LOW ALARM** key.

Its indicator will flash and the display will indicate 0.

3. Using the numerical keys, enter a new alarm setpoint temperature.

The selected temperature will appear in the **TEMPERATURE** display.

4. When the correct temperature is displayed, press the **E** (Enter) key to enter the data.

The **LOW ALARM** indicator will turn off.

5. Press the **LOCK** key to exit programming.

The **LOCK** lamp will go off and the freezer will return to normal mode.



Press the **C** key to clear the display during programming.

6.2.4 Checking temperature and alarm setpoint settings

To view the currently set operating temperature, high alarm setpoint, or low alarm setpoint for the freezer.

- ▶ Press the **SET TEMP** key, **HIGH ALARM** key, or the **LOW ALARM** key and read the display.



If you press the **SET TEMP**, **HIGH ALARM** or **LOW ALARM** key while the **LOCK** key lamp is flashing, the display will read ---, which indicates that the freezer is locked.

6.2.5 Setting the alarm delay

The **HIGH ALARM** audible alarm and the **REMOTE ALARM** monitoring socket can be programmed to a time delay set between 0 and 40 minutes.

The default time delay is 30 minutes. If the time delay is set to 0 minutes, the system will program it as 15 seconds.



Press **KEY 8** to display the High Temperature audible alarm delay, and press **KEY 9** to display the Remote Alarm Socket switching delay.

To set the audible **HIGH ALARM** delay (**KEY 8**):

1. Press the **LOCK** key.

The **LOCK** lamp illuminates, indicating the system is unlocked and parameters can be changed.

Operation

Premium -86 °C Freezers
English (EN)

2. Press keypad button **8**.
 pp flashes on the display.
3. Enter the desired value (e.g., press keypad buttons **1** and **0** to designate 10 minutes).
4. Press the **E** (Enter) key.
 The **LOCK** lamp goes out.

To set the **REMOTE ALARM** socket time delay (**KEY 9**):

1. Press the **LOCK** key.
 The **LOCK** lamp illuminate, indicating the system is unlocked and parameters can be changed.
2. Press keypad button **9**.
 pp flashes on the display.
3. Enter the desired value (e.g., press keypad button **5** to designate 5 minutes).
4. Press the **E** (Enter) key.
 The **LOCK** lamp goes out.

If the number entered is valid, --- flashes on the display, the value has been stored, and the **LOCK** lamp goes out. (This is a one-shot operation.)

If the number entered is out of range, **-EE-** shows on the display and the operation will need to be repeated using a valid number.

6.2.6 Changing lock codes



If you enter a lock code when there is none, or if you replace an existing lock code with a new one, take note of the new code before you enter it.

If the code is forgotten, you will need to contact Customer Service to regain access to the programming mode of the freezer.

The freezer is delivered unlocked. To change the code, the freezer must be unlocked. If a lock code has already been set (indicated by the **LOCK** lamp flashing when the **LOCK** key is pressed), that same code must be entered to unlock the freezer. When the freezer is unlocked, the **LOCK** lamp is on (not flashing).

Once the freezer is unlocked, follow these steps to set a new lock code:

1. Press the **CODE CHANGE** key.
 The lamp will flash and the display will go blank.
2. Using the numerical keys, enter the new four-digit number. Check it on the display.
3. Press the **C** key to cancel the entry if the display shows it to be incorrect, then enter the correct number.
4. When the number is correct, record the new number somewhere secure. Then press the **E** (Enter) key.
 The **CODE CHANGE** indicator will turn off.
5. Press the **LOCK** key.
 Its indicator lamp will turn off.

The freezer now has a new lock code. If at any time you wish to change this code, you will have to enter this code to unlock the system before you can enter a new code.

Setting the lock code to **0000** disables the lock completely. With the **0000** code, you would need only press the **LOCK** key to reprogram the freezer.

6.2.7 Setting the temperature offset

The temperature offset function enables to add a temperature offset to the factory defined temperature settings.

1. Press the **LOCK** Key.
2. Press the **C** key to access the offset function.
3. Press **0**, **1**, **2**, **3**, or **4** key to set the offset in degrees.
4. Press the **ENTER** key to confirm selection.



Set temperature offset to "0" for no offset.

6.3 Battery backup switch

This is a rocker switch labeled **I/O** behind the locked front panel. In the **O** position, the battery is disconnected. This position should only be used while in transit, in storage, or to change the battery.

At all other times the switch should be kept in the **I** position for the battery to be charged, and for the alarm function to be available in the event of mains/power failure. **(Failure to set the switch may result in impaired battery life, and the alarm will not trigger if the mains/power fails.)**

With the battery switch on, during a mains/power failure, the internal freezer temperature will be displayed at ten-second intervals, and the audio alarm will also sound. The audible alarm may be muted by pressing the **ALARM TEST/MUTE** key on the control panel, but will sound again after 30 minutes if the fault has not been corrected. Pressing the same button again will mute the alarm for an additional 30 minutes; the pattern will continue to repeat until the initial problem is corrected.

6.4 RS-485 Connection



NOTICE! Risk of material damage

- ▶ RS-485 Interface external device shall secure double / reinforced insulation from mains voltage (according to 61010-1).

An optional serial I/O connection rated 5 V max for RS-485 connection can be fitted. Contact your local Eppendorf distributor for details.

6.5 Alarm monitoring socket

The freezers are provided with an alarm monitoring socket at the rear of the freezer and a matching plug for external monitoring. This plug can be connected either to a central monitoring system such as a building management system, or to a remote alarm via an auto-dialer.

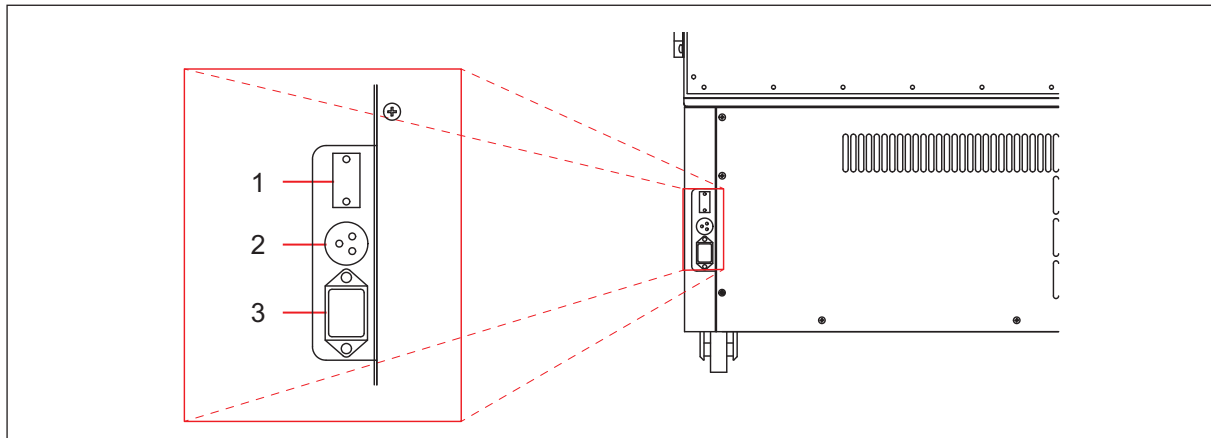


Fig. 6-3: Upright freezers alarm monitoring socket

1 RS-485 connector (optional)

3 Mains/power socket

2 Alarm monitoring socket

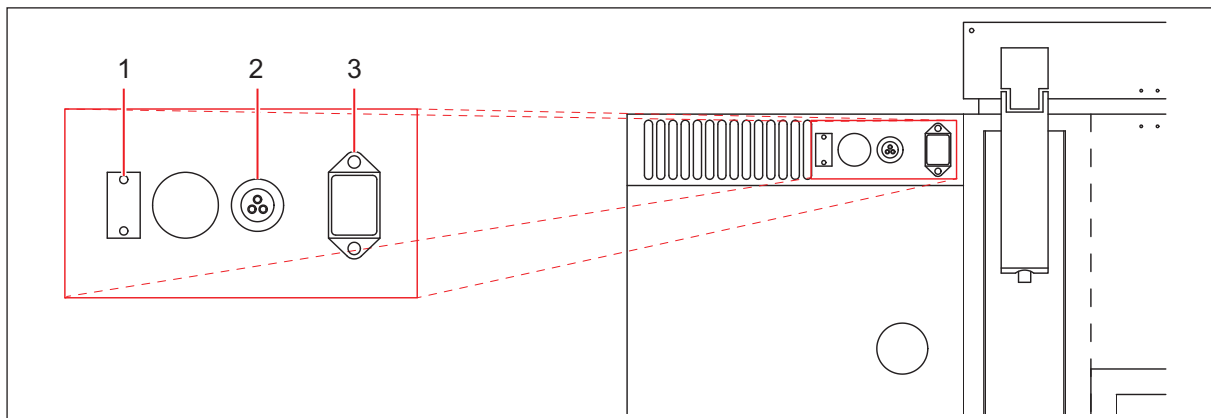


Fig. 6-4: Chest freezers alarm monitoring socket

1 RS-485 connector (optional)

3 Mains/power socket

2 Alarm monitoring socket

The configuration of the socket is shown in (Fig. 6-5 on p. 33) and (Fig. 6-6 on p. 33), as viewed from the rear of the freezer. Within the freezer, the socket is connected to voltage-free contacts rated at 24 volts, 1

amp. In normal operation, with the mains/power on, pin 1 is connected to pin 2 (N/C), and in the alarm condition, with mains/power off, pin 1 is connected to pin 3.

The High Temperature Alarm output to the Remote Alarm Monitoring Socket can be programmed to a set time delay (see *Setting the alarm delay on p. 29*).



NOTICE! Risk of material damage

- ▶ Hazardous voltages must not be connected to the remote alarm socket. Max Rating 24 V 1 A.

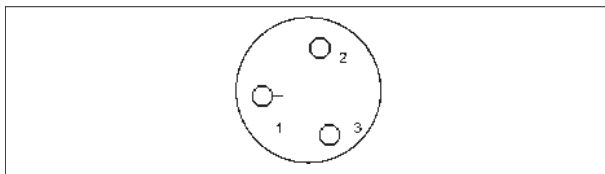


Fig. 6-5: Remote alarm socket - upright freezer

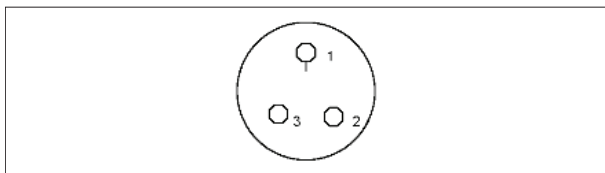


Fig. 6-6: Remote alarm socket - chest freezer

7 Maintenance

7.1 Cleaning



NOTICE! Risk of material damage

- ▶ Maintenance, adjustment and repair work should be carried out only by QUALIFIED, EXPERIENCED personnel who have been AUTHORIZED to undertake such work by Eppendorf or its authorized agents.
- ▶ Failure to use authorized service agents will invalidate the warranty.

7.1.1 Painted surfaces

All exterior paint work and inner doors should be cleaned using a solution of mild detergent in water. **Do not use abrasive cleaners or solvents.**

7.1.2 Interior and shelves

The interior panels and shelves are made of stainless steel. They may be cleaned using a recommended cleaning solvent, 70 % Isopropyl alcohol 30 % distilled water applied with a lint free cloth.

7.1.3 Air intake grille and filter



NOTICE! Risk of material damage

- ▶ Serious damage to the freezer may result if the air intake is blocked. Check that there is no obstruction of the airflow to the freezer. The air intake filter must also be cleaned regularly.
- ▶ Remove the filter from behind the grille by turning the thumbscrews ¼ turn and opening grille downward. The filter should be washed in warm soapy water and left to air dry before replacing.

The air intake grille must be cleaned regularly to keep it free from dust and debris. Under normal conditions, clean the grille once every three months. If the area around the freezer is very dusty or dirty, clean the grille more often.

- ▶ Brush the grille with a soft brush and, if a vacuum cleaner is available, vacuum the dust from the grille.

7.1.4 Heated vent port



There is an electrically-heated vent port in the freezer which must not be allowed to become blocked or sealed off.

Over a period of a few weeks, depending on how often the freezer is being used, a small mushroom of ice will form around the end of the vent port. If the vent port is allowed to become blocked, a vacuum will be

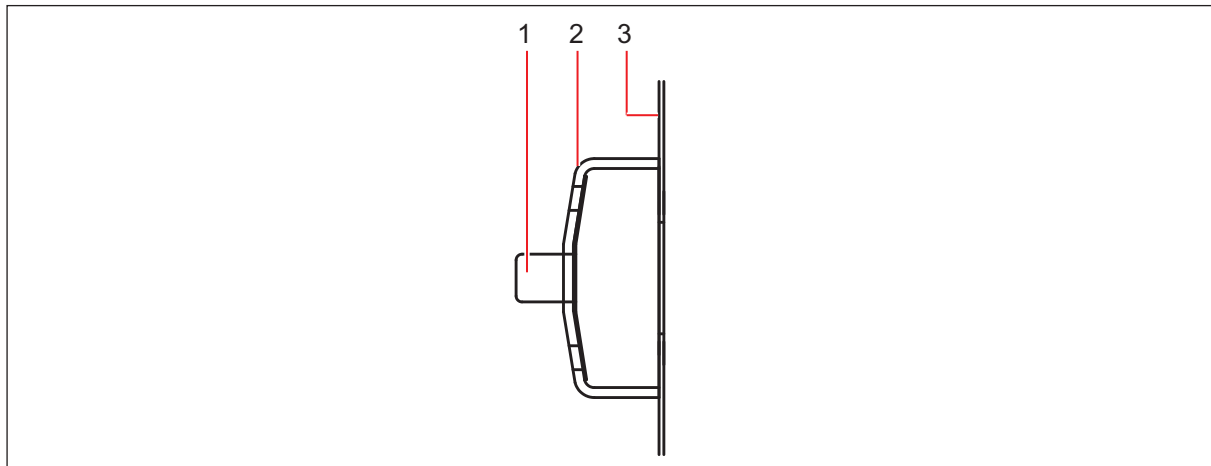
Maintenance

Premium -86 °C Freezers
English (EN)

created when the door is closed. It will not be possible to open the door or lift the lid until the vacuum has leaked away through the seal, which can take up to two hours due to the high quality of the seals.

The vent port is located on the left-hand side of the freezers.

- ▶ If the door cannot be opened, clear the vent port by pressing the manual plunger on the outside of the air vent.



1 Plunger

3 Freezer outer wall

2 Cover

7.1.5 Door or lid seal

Be sure to treat the door or lid seal with care. Avoid damaging this seal in any way. The freezer cannot operate properly with a defective seal.

- ▶ It is advisable to wipe both the seal and the surface against which it seals with a soft dry cloth once a month.

7.2 Routine maintenance



NOTICE! Risk of material damage

- ▶ Maintenance, adjustment and repair work should be carried out only by QUALIFIED, EXPERIENCED personnel who have been AUTHORIZED to undertake such work by Eppendorf or its authorized agents.
- ▶ Failure to use authorized service agents will invalidate the warranty.

7.2.1 Lubrication

Every 12 months the outer door hinges and the handle mechanism should be *lightly* lubricated using general-purpose oil or spray grease.

7.2.2 Defrosting

After an extended period of operation, defrosting may become necessary:



NOTICE! Risk of material damage

- ▶ Do not attempt to chip or scrape the ice with a sharp instrument. Allow the ice to melt naturally.
-

1. De-activate the alarm by switching the battery (alarm) switch (located behind the lockable panel on the front of the freezer) to off (O).
2. Unplug the freezer from the mains/electrical supply.
3. Leave the inner and outer doors or lids open.
4. Allow the accumulated ice to melt.
5. Mop up the resulting water.
6. Dry and decontaminate the interior of the freezer.
7. When defrosting is complete, reconnect the freezer to the mains/electrical supply.
8. Turn the mains/power switch on (I) and re-activate the battery (alarm) switch.

7.2.3 Removing the inner doors

The inner doors of the freezer can be removed for defrosting and cleaning.

1. Fully open the outer door of the freezer.
2. Fully open the inner door of the freezer.
3. Lift off inner door from hinges and set aside.

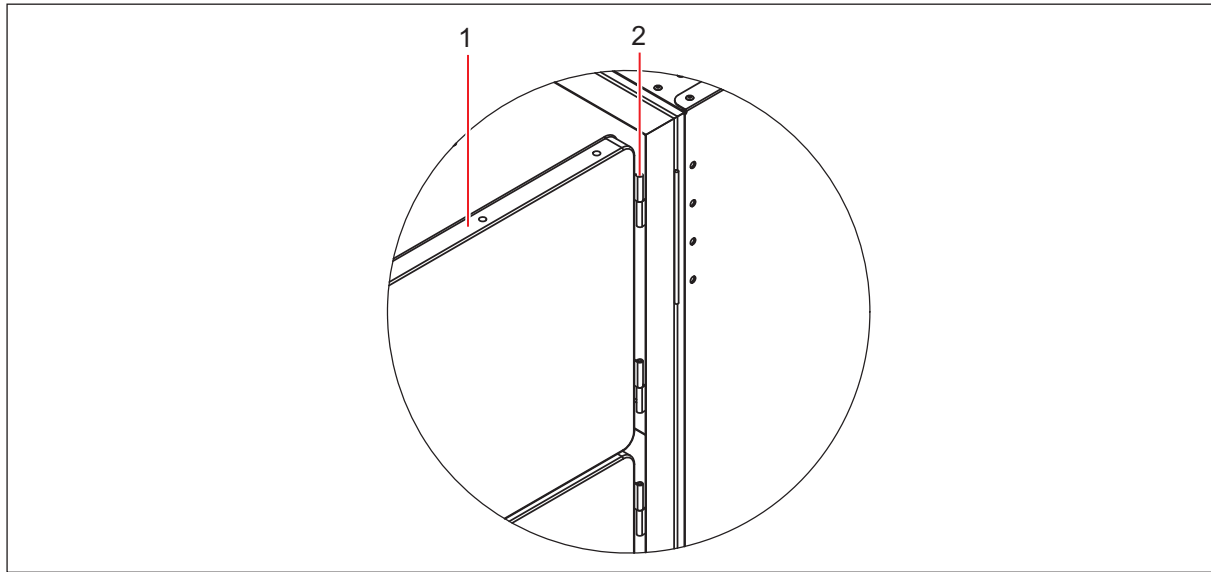


Fig. 7-1: Lift-off inner door

1 Inner door

2 Lift-off hinge

Repeat procedure for each door.

7.2.4 Replacing the inner door

1. Fully open the outer door of the freezer.
2. Fit each door over hinge pins and close.
3. Close outer door.



No adjustment should be necessary.

7.2.5 Electrical components



WARNING! Risk of personal injury

- ▶ During routine maintenance, care must be taken to avoid any damage to the gaskets and sealing grommets of these enclosures; also check the gaskets and sealing grommets routinely to ensure their integrity. Should any damage or deformity be detected, the gasket and/or sealing grommet must be replaced immediately.
- ▶ Failure to observe this safety warning will invalidate the warranty and could result in a dangerous situation.

7.2.5.1 Lamps

Regularly check the indicator lamps:

- ▶ Press the **ALARM TEST/MUTE** key.
All of the indicator lamps should illuminate, and the display should read **8888**.

7.2.5.2 Alarms

Regularly check the alarm:

- ▶ Press the **ALARM TEST/MUTE** key.
The **TEMP** indicator should illuminate and the audible alarm should sound.

7.2.5.3 Battery replacement



NOTICE! Risk of material damage

- ▶ There are no user controls behind any panels. The removal of any other part or panels from the freezer by anyone other than a qualified, authorized Service Engineer may invalidate the warranty.



NOTICE! Risk of material damage

- ▶ Use only a replacement battery of the correct type and part number.
- ▶ The battery must be fitted so the terminals correspond to the polarity labels on the electrical panel.

The YUASA–NP6 V 2.8 Ah battery is mounted on the electrical panel. This is located behind the right-hand base cover.

To replace the battery:

1. Switch off the mains/power switch and disconnect the mains/power supply.
2. Remove the side cover and the battery clamp securing the battery to the electrical panel.
3. Disconnect the battery terminals.
4. Install the new battery, fixing screws, and the side cover.



Be certain, when reconnecting the battery, to respect the correct polarity (red is + positive and black is – negative).

5. Reconnect the freezer to the mains/power supply and turn the mains/power switch on (I).

7.2.5.4 Fuses

Fuses must be replaced by an Eppendorf approved service engineer. Contact Eppendorf Service.

Maintenance

Premium -86 °C Freezers
English (EN)

7.3 Service safety checklist



NOTICE! Risk of damage to equipment

- ▶ Please fill in this form before servicing. This form must be handed to service engineer to keep for safety records.

1. Freezer contents Yes No
 Risk of infection Yes No
 Risk of toxicity Yes No
 Risk from radioactive sources Yes No

(List all potentially hazardous materials that have been stored in this unit.)

Notes:

2. Contamination of the unit:
 Unit interior Yes No
 No contamination Yes No
 Decontaminated Yes No
 Contaminated Yes No
 Others

3. Instructions for safe repair/maintenance of the unit:
 a) The unit is safe to work on Yes No
 b) There is some danger (see below) Yes No
 Procedure to be adhered to in order to reduce safety risk indicated in b) below.

Date :
 Signature :
 Address, Division :
 Telephone :

Product name :
 Model :
 Serial number :
 Date of installation :

Please decontaminate the unit yourself before calling the service engineer.

8 Troubleshooting

8.1 General errors

If you are experiencing a problem with your freezer, check the following troubleshooting guides before contacting your Eppendorf authorized service technician.

| Symptom/message | Cause | Remedy |
|--------------------------------------|---|---|
| Door will not open | 1. The door handle is locked. The heated vent port is blocked. | 1. Unlock the door handle. 2. Break up the ice in the vent port using the plunger, (see <i>Heated vent port on p. 35</i>). If the door will not open: ▶ Call Eppendorf service. |
| FILTER-CLEAN LED lights up | • Filter is contaminated. | ▶ Clean the filter, (see <i>Air intake grille and filter on p. 35</i>). If the LED remains lit: ▶ Call Eppendorf service. |

8.2 Error messages

Your electronically-controlled freezer incorporates the unique Systems Monitoring And Reporting Technology (S.M.A.R.T. Plus™) self-diagnostic software to diagnose faults in its electronic systems, its probes and/or its refrigeration system.

This table interprets error codes that may appear in the control panel display:

| Symptom/ message | Cause | Remedy |
|---------------------|---|--------------------------------------|
| E-01 | • PT100 Probe 1 failure. This probe, located inside the freezer cabinet, indicates cabinet temperature. | ▶ Call Eppendorf service department. |
| E-02 | • Probe 2 failure. This probe monitors the cascade condenser. | ▶ Call Eppendorf service department. |
| E-03 | • This probe monitors the air-cooled condenser. | ▶ Call Eppendorf service department. |

Troubleshooting

Premium -86 °C Freezers
English (EN)

| Symptom/ message | Cause | Remedy |
|---------------------|--|--|
| E-04 | <p>Air-cooled condenser temperature too high:</p> <ol style="list-style-type: none"> Filter may be blocked. <p>Ambient temperature may be too high.</p> <p>If alarm continues to sound:</p> <ul style="list-style-type: none"> Fan may have failed. Water supply not turned on, insufficient flow, regulating valve not opening or defective (water-cooled version only). | <ol style="list-style-type: none"> Clean filter according to the instructions (see <i>Air intake grille and filter on p. 35</i>). Cool the room. <p>► Call Eppendorf service department.</p> |



A fan is required to cool the compressors on the water-cooled models.

8.3 After a mains/power failure

If mains/power is interrupted, the **POWER-FAIL** indicator lamp (see Fig. 5-1 on p. 21), Item 3, will illuminate. In addition, the audible alarm will sound and the display will flash at approximately 10-second intervals.

When mains/power is restored, both alarm and light will automatically be cancelled.

If mains/power has been interrupted for only a short time, the internal temperature of the freezer will not have risen above the temperature setpoint (the user-set alarm threshold), so normal operation will be resumed immediately.

If the interruption was long enough for the internal temperature to rise above the temperature setpoint, the **TEMP-ALARM** indicator will illuminate. If the internal temperature does not fall below the temperature setpoint within the programmed time after mains/power was restored, the audible alarm will sound again. The TEMP-ALARM indicator will extinguish when the internal temperature reaches the High Alarm temperature set point.

8.4 Interior warming

If the lid or door is left open long enough for the internal temperature to rise above the temperature setpoint, the same effects will be observed as described above regarding power failure.

To minimize the risk of this happening, the lid or door should only be opened when necessary, for a short period of time.

The upright freezers are fitted with internal doors which latch shut, minimizing temperature rise when the outer door is opened. Chest freezers are fitted with inner insulating lids to ensure efficient running of the freezer. The lids should remain fitted at all times when the freezer is running.

Troubleshooting

Premium -86 °C Freezers

English (EN)

9 Technical data

9.1 Specifications

9.1.1 Upright freezers specifications

| Model No. | U410 | U570 |
|--|--|---|
| Part No. | U9260-000X* | U9270-000X* |
| Internal Dimensions: Height x Width x Depth | 1265 x 550 x 575 mm 49.8 x 21.6 x 22.6 in | 1265 x 765 x 575 mm 49.8 x 30.1 x 22.6 in |
| External Dimensions: Height x Width x Depth | 1915 x 800 x 852 mm 75.3 x 31.5 x 33.5 in | 1925 x 1025 x 852 mm 75.8 x 40.3 x 33.5 in |
| Capacity | 410 Liters 14.5 cubic feet | 570 Liters 20.0 cubic feet |
| Net Weight | 235 kg 517 lb | 265 kg 583 lb |
| Lock | Standard | Standard |
| No. Compartments | 5 | 5 |
| Interior | Stainless steel grade 304L | |
| Alarms | High/Low temperature, power fail, battery low, filter clean, fault | |
| Insulation Material | Urethane foam | |
| ^Noise level | 55 dB | 56 dB |
| Remote alarm port | Standard | Standard |
| RS-485 interface | Optional | Optional |
| Refrigerants: | High Stage Refrigerant: R404A / Low Stage Refrigerant: R508B | |
| ‡Power Consumption: | | |
| • 115 V electrical supply | 540 Watts | 590 Watts |
| • 208 - 230 V electrical supply | 540 Watts | 590 Watts |
| • 230 V electrical supply | 450 Watts | 490 Watts |
| Mains/Power Source and Current Rating | | |
| 115 V, 60 Hz | 16.5 A | 16.5 A |
| 208 - 230 V, 60 Hz | 8 A | 9 A |
| 230 V, 50 Hz | 5 A | 6 A |
| Pull Down Time: From +25°C to -85°C (freezer empty; 230 V, 50 Hz electrical supply) | | |
| | 5.3 hours | 5.5 hours |
| Performance | -50 °C to -86 °C at 32 °C maximum ambient operating temperature | |

Technical data

Premium -86 °C Freezers
English (EN)

| Model No. | U410 | U570 |
|---------------------------------|--|------|
| Environmental Conditions | All freezers use components tested to CE/UL specifications listed below: <ul style="list-style-type: none"> • Indoor use • Altitude limit up to 2000 m (2187.23 yd) • Ambient temperature range 10 °C to 32 °C • Maximum relative humidity 80 % for temperatures up to 31 °C, decreasing linearly to 50 % relative humidity at 40 °C • Mains/power supply voltage fluctuations not to exceed ± 10 % of the nominal voltage • Installation category II • Pollution degree 2 | |

* X = 0 for 115 V, 2 for 208 - 230 V, or 1 for 230 V

^ Noise test conditions - Measurements taken from a distance of 1.5 m and 1 m from the floor. Background noise level = 30 dB

‡ Power consumption values are average readings conducted under controlled conditions - Freezer set to -80 °C, ambient 20 - 25 °C at rated mains/electrical supply. No load

| Model No. | U700 |
|--|--|
| Part No. | U9280-000X* |
| Internal Dimensions: Height x Width x Depth | 1315 x 865 x 610 mm 51.8 x 34.1 x 24.1 in |
| External Dimensions: Height x Width x Depth | 1955 x 1120 x 865 mm 77.1 x 44.1 x 34.2 in |
| Capacity | 700 Liters 24.6 cubic feet |
| Net Weight | 280.5 kg 615 lb |
| Lock | Standard |
| No. Compartments | 5 |
| Interior | Stainless steel grade 304L |
| Alarms | High/Low temperature, power fail, battery low, filter clean, fault |
| Insulation Material | Urethane foam |
| ^Noise level | NA |
| Remote alarm port | Standard |
| RS-485 interface | Optional |
| Refrigerants: | High Stage Refrigerant: R404A / Low Stage Refrigerant: R508B |

| Model No. | U700 |
|--|---|
| ‡Power Consumption: | |
| • 115 V electrical supply | 663 Watts |
| • 208 - 230 V electrical supply | 663 Watts |
| • 230 V electrical supply | 663 Watts |
| Mains/Power Source and Current Rating | |
| 115 V, 60 Hz | 16.5 A |
| 208 - 230 V, 60 Hz | 7 A |
| 230 V, 50 Hz | 8 A |
| Pull Down Time: From +25°C to -85°C (freezer empty; 230 V, 50 Hz electrical supply) | |
| | 5.3 hours |
| Performance | -50 °C to -86 °C at 32 °C maximum ambient operating temperature |
| Environmental Conditions | All freezers use components tested to CE/UL specifications listed below: <ul style="list-style-type: none"> • Indoor use • Altitude limit up to 2000 m (2187.23 yd) • Ambient temperature range 10 °C to 32 °C • Maximum relative humidity 80 % for temperatures up to 31 °C, decreasing linearly to 50 % relative humidity at 40 °C • Mains/power supply voltage fluctuations not to exceed ± 10 % of the nominal voltage • Installation category II • Pollution degree 2 |

* X = 0 for 115 V, 2 for 208 - 230 V, or 3 for 230 V

^ Noise test conditions - Measurements taken from a distance of 1.5 m and 1 m from the floor. Background noise level = 30 dB

‡ Power consumption values are average readings conducted under controlled conditions - Freezer set to -80 °C, ambient 20 - 25 °C at rated mains/electrical supply. No load

Technical data

Premium -86 °C Freezers
English (EN)

9.1.2 Chest freezers specifications

| Model No. | C340 | C660 |
|--|--|---|
| Part No. | U9230-000X* | U9250-000X* |
| Internal Dimensions: Height x Width x Depth | 760 x 760 x 590 mm 30 x 30 x 23.2 in | 760 x 1470 x 590 mm 30 x 57.8 x 23.2 in |
| External Dimensions: Height x Width x Depth | 1075 x 1340 x 840 mm 42.3 x 52.7 x 33 in | 1075 x 2050 x 840 mm 42.3 x 80.7 x 33 in |
| Capacity | 340 Liters 12.0 cubic feet | 660 Liters 23.3 cubic feet |
| Net Weight | 205 kg 451 lb | 280 kg 616 lb |
| Lock | Standard | Standard |
| No. Compartments | N/A | N/A |
| Interior | Stainless steel grade 304L | |
| Alarms | High/Low temperature, power fail, battery low, filter clean, fault | |
| Insulation Material | Urethane foam | |
| ^Noise level | 56 dB | 58.5 dB |
| Remote alarm port | Standard | Standard |
| RS-485 interface | Optional | Optional |
| Refrigerants: | High Stage Refrigerant: R404A / Low Stage Refrigerant: R508B | |
| ‡Power Consumption: | | |
| • 115 V electrical supply | 430 Watts | N/A |
| • 208 - 230 V electrical supply | N/A | 625 Watts |
| • 230 V electrical supply | 368 Watts | 595 Watts |
| Mains/Power Source and Current Rating | | |
| 115 V, 60 Hz | 16.5 A | N/A |
| 208 - 230 V, 60 Hz | N/A | 8 A |
| 230 V, 50 Hz | 4.5 A | 6 A |
| Pull Down Time: From +25°C to -85°C (freezer empty; 230 V, 50 Hz electrical supply) | | |
| | 3.8 hours | 5.8 hours |
| Performance | -50 °C to -86 °C at 32 °C maximum ambient operating temperature | |

| Model No. | C340 | C660 |
|---------------------------------|--|------|
| Environmental Conditions | All freezers use components tested to CE/UL specifications listed below: <ul style="list-style-type: none"> • Indoor use • Altitude limit up to 2000 m (2187.23 yd) • Ambient temperature range 10 °C to 32 °C • Maximum relative humidity 80 % for temperatures up to 31 °C, decreasing linearly to 50 % relative humidity at 40 °C • Mains/power supply voltage fluctuations not to exceed ± 10 % of the nominal voltage • Installation category II • Pollution degree 2 | |

* X = 0 for 115 V, 2 for 208 - 230 V, or 1 for 230 V

^ Noise test conditions - Measurements taken from a distance of 1.5 m and 1 m from the floor. Background noise level = 30 dB

‡ Power consumption values are average readings conducted under controlled conditions - Freezer set to -80 °C, ambient 20 - 25 °C at rated mains/electrical supply. No load

Technical data

Premium -86 °C Freezers
English (EN)

10 Ordering information

10.1 Accessories

A number of accessories are available for Eppendorf line of ultra-low temperature freezers. Contact your local Eppendorf representative or distributor for details.

10.1.1 TCA-3 temperature monitoring system

The TCA-3 monitoring system is a temperature monitor with alarm, electronic chart recorder, and auto-dialer that communicates via the internet for remote monitoring from anywhere in the world. Ask your Eppendorf sales representative for availability.

10.1.2 Auto-dialers

Auto-dialers can call a set of preprogrammed telephone numbers in the event of an alarm condition and connect right into the freezer's remote alarm port.

10.1.3 Temperature probes

Additional Temperature Probes (such as the TCA-3 monitoring system) can be installed upon request for an external alarm system or for validation.

10.1.4 Validation packages

Installation and operational qualifications are available.

10.1.5 External voltage stabilizers

External voltage stabilizers are available for all Premium Freezers models to modulate incoming line voltage.

10.1.6 Padlock adapter kits

Padlock adapter kits allow up to two user-supplied padlocks to be secured to outer door handle for extra security.

10.1.7 CO₂ and LN₂ back-up systems

These systems are available to temporarily protect the contents of the freezer against the consequences of freezer failure or power failure. In an emergency, the system can inject either liquid carbon dioxide or liquid nitrogen from a storage bottle. Carbon dioxide back-up systems will maintain temperatures between -40 °C and -70 °C (subject to environmental conditions) for a period of up to 48 hours, during which time the freezer can be repaired. Liquid nitrogen back-up systems will maintain the freezer temperature at -86 °C.

Ordering information

Premium -86 °C Freezers
English (EN)

CO₂ and LN₂ back up systems can be retrofitted by the user. Contact your local Eppendorf distributor for options available. Instructions are included in the kit.

| Order No. (International) | Description |
|--------------------------------------|--|
| U9043-0002 | Innova/G CO ₂ backup, 115 - 230 V, 60 Hz |
| U9043-0004 | Innova/G CO ₂ backup, 230 V, 50 Hz |
| U9043-0006 | Premium/HEF CO ₂ backup, 115 - 230 V, 60 Hz |
| U9043-0008 | Premium/HEF CO ₂ backup, 230 V, 50 Hz |
| U9044-0002 | Innova/G LN ₂ backup, 115 - 230 V, 60 Hz |
| U9044-0004 | Innova/G LN ₂ backup, 230 V, 50 Hz |
| U9044-0006 | Premium/HEF LN ₂ backup, 115 - 230 V, 60 Hz |
| U9044-0008 | Premium/HEF LN ₂ backup, 230 V, 50 Hz |

10.1.8 Inventory racking systems

A very comprehensive set of anodized aluminium racks is available. These are designed to accommodate various sizes of boxes neatly, while giving maximum packing density in the freezer. Stainless-steel shelves and water proof boxes as well as custom racking are also available.

10.1.9 Chart recorder

A chart recorder is available to provide a continuous record of the temperature inside the freezer over a period of seven days. The record is presented on a circular chart.

The following items are available for all freezer models:

| Order No. (International) | Description | Quantity |
|--------------------------------------|---|-----------------|
| P0625-2100 | Chart Recorder Kit | 1 |
| P0625-2110 | Chart Recorder Paper, Range -50 °C to -100 °C | |
| P0625-2111 | Chart Recorder Paper, Range 0 °C to -50 °C | |
| K0660-0051 | Chart Recorder Pens | 3 |

10.1.10 BioCommand SFI datalogging software (RS-485 interface)

BioCommand® SFI Track and Trend software is available to trend and archive data from as many as 32 shakers, CO₂ incubators, and/or freezers, simultaneously. This PC-based software works with any OPC-compliant equipment with an RS-232 or RS-485 port.

11 Transport, storage and disposal

11.1 Shut down

1. Switch the battery switch off before transporting or storing the equipment, (see *Battery backup switch on p. 31*).

11.2 Transport



WARNING! Risk of personal injury

Lifting and transporting the freezer without suitable equipments can result in crushing and other injuries.

- ▶ Use a mechanical lifting equipment to load and unload the freezer.



CAUTION! Risk of material damage

Vibrations and impacts can cause the hermetically sealed compressors to slip out of their suspension system.

- ▶ Do not tilt the equipment.
 - ▶ Avoid vibrations and impacts.
-

Perform the following steps if relocation is necessary:

1. Remove all shelves, racks, and boxes.
2. Carefully move the freezer.

11.3 Disposal

In case the product is to be disposed of, the relevant legal regulations are to be observed.

Information on the disposal of electrical and electronic devices in the European Community:

Within the European Community, the disposal of electrical devices is regulated by national regulations based on EU Directive 2002/96/EC pertaining to waste electrical and electronic equipment (WEEE).

According to these regulations, any devices supplied after August 13, 2005, in the business-to-business sphere, to which this product is assigned, may no longer be disposed of in municipal or domestic waste. To document this, they have been marked with the following identification:

Transport, storage and disposal

Premium -86 °C Freezers
English (EN)



Because disposal regulations may differ from one country to another within the EU, please contact your supplier if necessary.

In Germany, this is mandatory from March 23, 2006. From this date, the manufacturer has to offer a suitable method of return for all devices supplied after August 13, 2005. For all devices supplied before August 13, 2005, the last user is responsible for the correct disposal.

12 Certificates



Declaration of Conformity

The products named below fulfill the requirements of directives and standards listed. In the case of unauthorized modifications to the product or an unintended use this declaration becomes invalid.

Product name:

Premium: Model No. U410-86, U570-86, U700-86, C340-86 & C660-86
including accessories

Product type:

U Prefix designates Upright Freezer
C Prefix designates Chest Freezer

Relevant directives / standards:

2006/95/EC: EN 61010-1,
UL 61010-1, CSA C22.2 No. 61010-1 (US Voltage 60 Hz Models)
2004/108/EC: EN 61326-1
FCC Part 15 Class B (US Voltage 60Hz Models)
2011/65/EU
2012/19/EU

Management Board

Portfolio Management

Date: November 25, 2013

Your local distributor: www.eppendorf.com/contact
Eppendorf AG · 22331 Hamburg · Germany
eppendorf@eppendorf.com

ISO 9001
Certified

ISO 13485
Certified

ISO 14001
Certified

Eppendorf® and the Eppendorf Logo are registered trademarks of Eppendorf AG Hamburg/Germany.
All rights reserved incl. graphics and pictures. Copyright 2013 © by Eppendorf AG.

U9260-9999-00

Certificates

Premium -86 °C Freezers
English (EN)

The following relates to 115 V, 60 Hz and 208 - 230 V, 60 Hz products only

**WARNING!**

- ▶ Any modification or changes made to this device, unless explicitly approved by Eppendorf, will invalidate the authorization of this device. Operation of an unauthorized device is prohibited under Section 302 of the Communications Act of 1934, as amended, and Subpart 1 of Part 2 of Chapter 47 of the Code of Federal Regulations.



This equipment has been tested and found to comply with the limits for a Class B digital device, pursuant to Part 15 of the FCC Rules. These limits are designed to provide reasonable protection against harmful interference in a residential installation. This equipment generates, uses and can radiate radio frequency energy and, if not installed and used in accordance with the instructions, may cause harmful interference to radio communications. However, there is no guarantee that interference will not occur in a particular installation. If this equipment does cause harmful interference to radio or television reception, which can be determined by turning the equipment off and on, the user is encouraged to try to correct the interference by one or more of the following measures:

- Reorient or relocate the receiving antenna.
- Increase the separation between the equipment and receiver
- Connect the equipment into an outlet on a circuit different from that to which the receiver is connected.
- Consult the dealer or an experienced radio/TV technician for help.

Index

A

| | |
|---------------------------|--------|
| Accessories..... | 51 |
| Adjusting the shelf | 18 |
| Air intake | 35 |
| Alarm | 31 |
| Alarm activation | 26 |
| Alarm test/mute key | 31 |
| Audible alarm | 21, 31 |
| Auto-dialers | 51 |
| Auto-reset..... | 16 |
| Automatic reset | 16 |

B

| | |
|-----------------------------|----|
| Battery activation | 26 |
| Battery backup switch | 31 |
| Battery replacement | 39 |

C

| | |
|--------------------------------|--------|
| C760 Specifications..... | 48 |
| Caution, explanation of | 7 |
| CFC..... | 8 |
| Chart recorder | 52 |
| Chest freezer, front view..... | 13 |
| Cleaning | 35, 36 |
| Clearance..... | 17 |
| CO2 back-up system..... | 51 |
| Control panel..... | 21 |
| Copyright..... | 2 |
| Custom-made racks..... | 52 |

D

| | |
|------------------------------|----|
| Danger, explanation of | 7 |
| Defrosting..... | 37 |

| | |
|---------------------|----|
| Disposal | 53 |
| Door seal..... | 36 |
| Door/lid stuck..... | 27 |

E

| | |
|-----------------------------------|----|
| Electrical connection | 25 |
| Electrical requirements..... | 25 |
| Error codes | 41 |
| External monitoring..... | 32 |
| External voltage stabilizer | 51 |

F

| | |
|-------------------------------|----|
| Factory-set temperature | 27 |
| Fail, mains/power..... | 42 |

H

| | |
|----------------------|---|
| Hazard symbols | 7 |
| HCFC..... | 8 |
| HFC | 8 |

I

| | |
|------------------------------|--------|
| Ice in vent | 27, 35 |
| Indicator lights..... | 16 |
| Inner door, installing | 38 |
| Inner door, removing | 37 |
| Inspection of boxes..... | 14 |
| Installing inner door | 38 |
| Intended use | 12 |
| Interior and shelves | 35 |

L

| | |
|--------------------------|----|
| Lid/door stuck..... | 27 |
| LN2 back-up system | 51 |
| Lock key | 28 |
| Lockable panel | 26 |

Index

Premium -86 °C Freezers
English (EN)

M

| | |
|---------------------------|--------|
| Mains/power failure | 42 |
| Mains/power supply | 25 |
| Manual conventions | 8 |
| min..... | 8 |
| Monitoring..... | 32, 52 |
| Moving freezer | 53 |

N

| | |
|------------------------------|---|
| Notice, explanation of | 7 |
|------------------------------|---|

P

| | |
|---------------------------------|--------|
| Packing list verification | 14 |
| Panel, removing..... | 25 |
| Part numbers | 52 |
| Plunger | 27, 35 |
| Power cord | 25 |
| Power fail..... | 27 |
| Power failure | 31 |
| Power supply/mains | 25 |
| Programming..... | 27 |

R

| | |
|--|--------|
| Racks | 52 |
| Recorder pens | 52 |
| Recorder, chart..... | 52 |
| Remote control | 13 |
| Remote monitoring..... | 32, 52 |
| Removing inner doors | 37 |
| Removing lockable panel | 25 |
| Removing upright freezer lock barrel | 19 |
| Rise in temperature | 42 |
| rpm | 9 |
| RS-485 computer interface | 52 |

S

| | |
|---|--------|
| S.M.A.R.T. Plus | 21, 41 |
| Safety | 12 |
| Set temp key | 28 |
| Setpoint, temperature | 42 |
| Setting the operating temperature | 28 |
| Shelf, adjusting | 18 |
| Shelves..... | 35 |
| Specifications, C585 | 48 |
| Specifications, U410..... | 45 |
| Specifications, U700 | 46 |
| Symbols used | 8 |

T

| | |
|---------------------------------------|--------|
| Temp alarm | 42 |
| Temperature alarms..... | 21 |
| Temperature probes..... | 51 |
| Temperature setpoint..... | 27, 42 |
| Testing alarm | 39 |
| Testing alarm monitoring socket | 27 |
| Testing indicator lamps | 39 |
| Trademarks | 2 |
| Troubleshooting..... | 41 |
| Turning on the equipment..... | 25 |

U

| | |
|----------------------------------|----|
| U570 Specifications | 45 |
| U700 Specifications | 46 |
| Unpacking boxes | 14 |
| Upright freezer, front view..... | 13 |
| Upright freezer, side view | 13 |
| Using this manual | 7 |

V

Vacuum effect.....27
Validation packages.....51
Vent27, 35

W

Warming.....42
Warning, explanation of7

Index

Premium -86 °C Freezers
English (EN)

Evaluate Your Manual

Give us your feedback.
www.eppendorf.com/manualfeedback